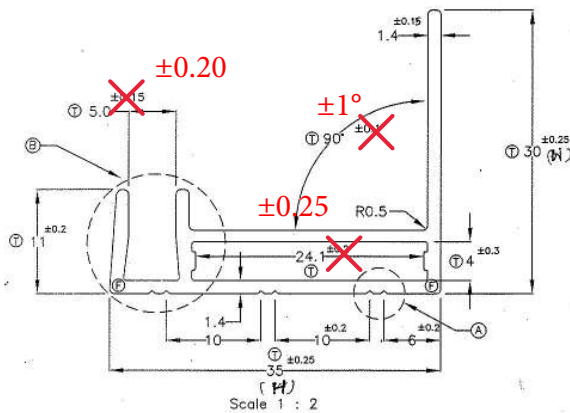
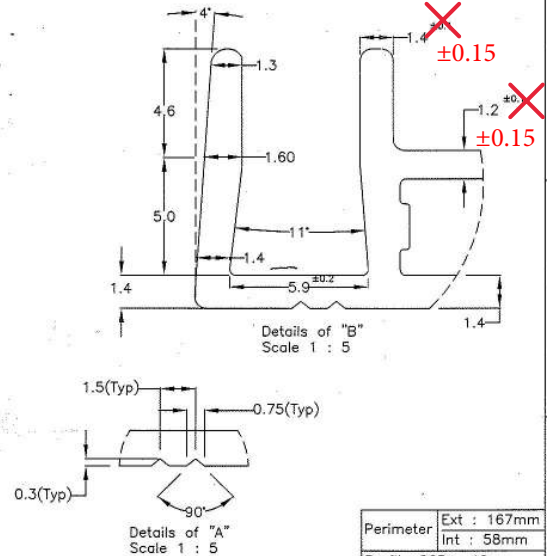


Q01379

PROPOSAL DRAWING



Scale 1 : 2



Details of "B"
Scale 1 : 5

Details of "A"
Scale 1 : 5

Perimeter	Ext : 167mm Int : 58mm
Profile CCD	: 49mm
Area	: 149.5 Sq.mm

Material : Aluminum 6063-T6
Weight : 0.400Kg/Mtr.

Note :

- 1 - Unmarked Radius R0.5.
- 2 - $\text{\textcircled{T}}$ = Important Dimension.
- 3 - Typ = Typical.
- 4 - Unspecified Corners (F) Full Radius 1mm.

Dwg No.		SE17788-A		REV		
Title		Frame Profile 35x30 (HxW)		A		
Product		Solar PV Module 60/72 Cells				
Drawn	Date	Name	Sign	<p>Orb Energy Private limited. No.95, Digital Park Road, 2nd Stage, Yeshwanthpura, Bangalore 560022, India</p>		
Checked	02-05-19	GCS	<i>[Signature]</i>			
Approved	02-05-19	KKY	<i>[Signature]</i>			
Unless Otherwise Specified Tolerances are				Material	Aluminum 6063-T6	
Linear		± 0.5	Angular	$\pm 1'$	Surface Finish	CLASS 2
Third Angle		All Dimension are in mm		Scale :	Sheet size - A4	Sheet 1 of 1