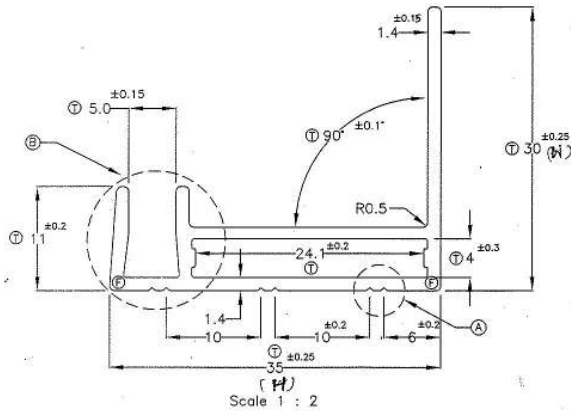
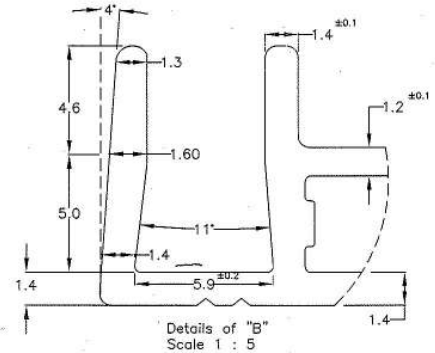


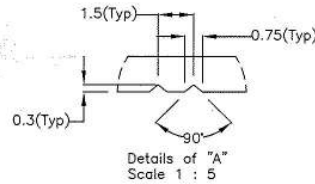
Q01379



Scale 1 : 2



Details of "B"
Scale 1 : 5



Details of "A"
Scale 1 : 5

Perimeter	Ext : 167mm
	Int : 58mm
Profile CCD	: 49mm
Area	: 149.5 Sq.mm

Material : Aluminum 6063-T6
Weight : 0.400Kg/Mtr.

Note :

- 1 - Unmarked Radius R0.5.
- 2 - $\text{\textcircled{1}}$ = Important Dimension.
- 3 - Typ = Typical.
- 4 - Unspecified Corners (F) Full Radius 1mm.

Dwg No.	SE17788-A			REV	
Title	Frame Profile 35x30 (HxW)			A	
Product	Solar PV Module 60/72 Cells				
Drawn	02-05-19	NATESH			
Checked	02-05-19	GCS			
Approved	02-05-19	KKY			
Unless Otherwise Specified Tolerances are				Material	Aluminum 6063-T6
Linear - ± 0.5		Angular - $\pm 1'$		Surface Finish	CLASS 2
				Scale :	Sheet size - A4
All Dimension are in mm					Weight: 0.400Kg/Mtr
					Sheet 1 of 1