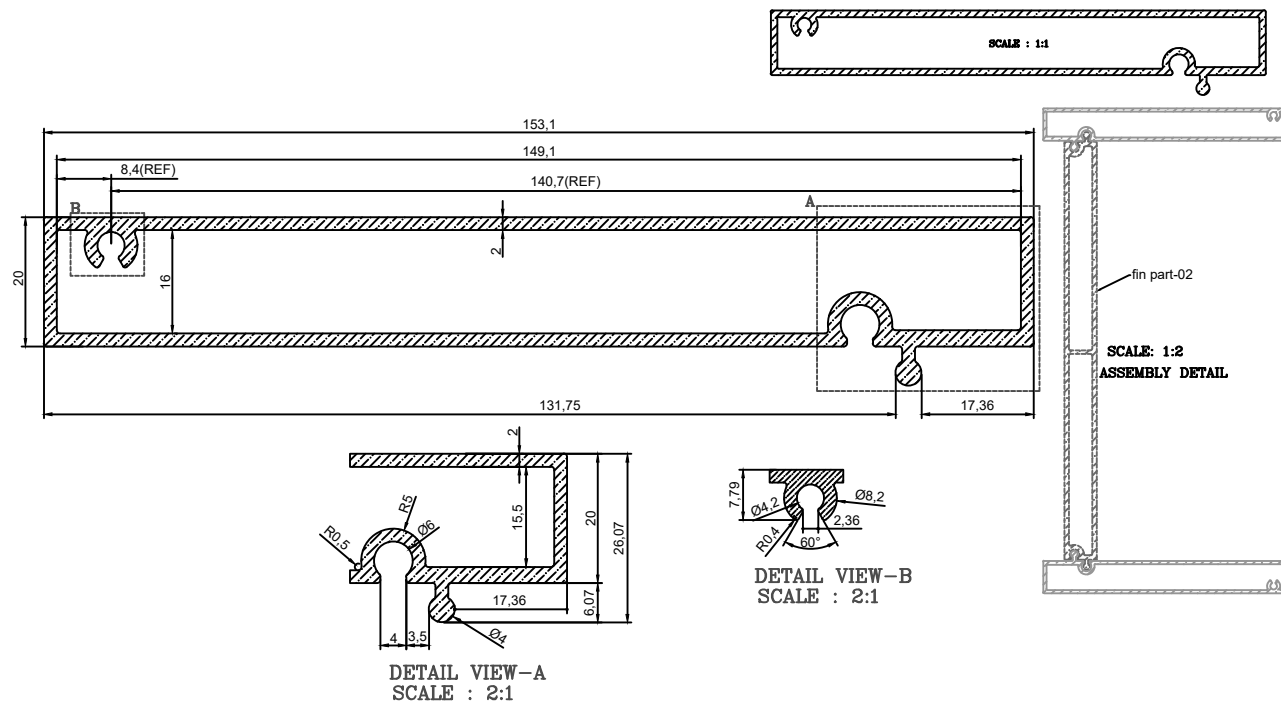


REQUIREMENT— 1800 Rmt.



WEIGHT: 2.027 kg/mtr.