

- Special Feature:-**
1. Anodizable.
  2. No Machining
  3. To Bend- No
  4. Alloy & Temper - 6063 T6

Cut Length :- As Order

Scale 5:1

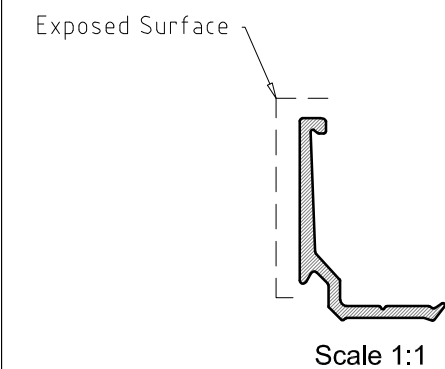
W - 0.189 Kg/Mtr

Material.-	Al.	Qty-	Extrusion Aluminium Beading 3.5mm GA50			
Customer	XXXX		Project			
Print: Draft		Drg No: M33011				
Drawn By	Date	Version	Scale	Format	Sheet	
AKS	19.02.2024	RevB9	NTS	A3	6/15	
File: \\ax2\AX\Alusystems\ALUSYSTEM DEVELOPEMENTS\Beading\Beadings_RevB9.dwg						



GSC Alusystems Private Ltd

Plot 41, Sector Ecotech-1,  
Extension-1, Greater Noida,  
Gautam Buddha Nagar  
UP India Pin 201310



RevNo	Revision note	Date	Signature	Checked
-------	---------------	------	-----------	---------

This drawing, whether in electronic data or in hard print format, is a property of GSC Toughened Glass Pvt Ltd. It is being loaned for the specific purpose of usage in reference to order, contracts or proposals of this company. Reproduction and/or distribution of this electronic data or hard print data or unauthorized use, is strictly prohibited.