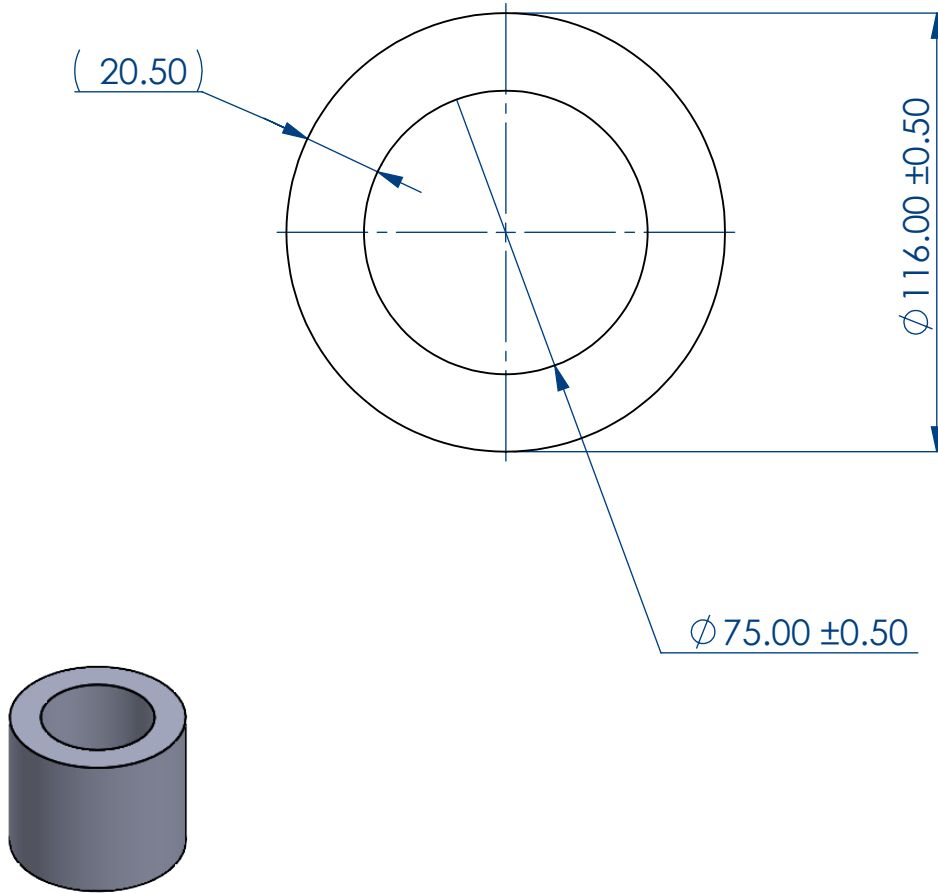
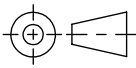



Q02501

REVISIONS			
REV	DESCRIPTION	DATE	APPD



ITEM NO.	PART NUMBER	DESCRIPTION	QTY.
1	EXTRUSION Ø116	ALUMINIUM	1

	GEN. TOL. STD. DIN ISO 2768 T1 & T2		 <p>                     REGENT LIGHTING ASIA PRIVATE LTD                      A-19 SECTOR 64 NOIDA-201301                 </p>
	DRN	24-9-24 Mthakur	
	CHK	24-9-24 PD	
	APPD	24-9-24 YKANDA	
	ISSD	24-9-24 PD	
LUMINAIRE NAME		SIZE <b>A4</b>	DRG. NO. <b>EX-2004-7436-00</b>
<b>NOVO</b>		SCALE <b>1:1</b>	PART NO. <b>7436</b> SHEET <b>1 OF 1</b>

The dimensions are a binding. Not according to scale dimensions are underlined.  
 Our company retains the copyright to this drawing. Without our written permission this is not to be copied or duplicated, be communicated to third parties or made publically available.