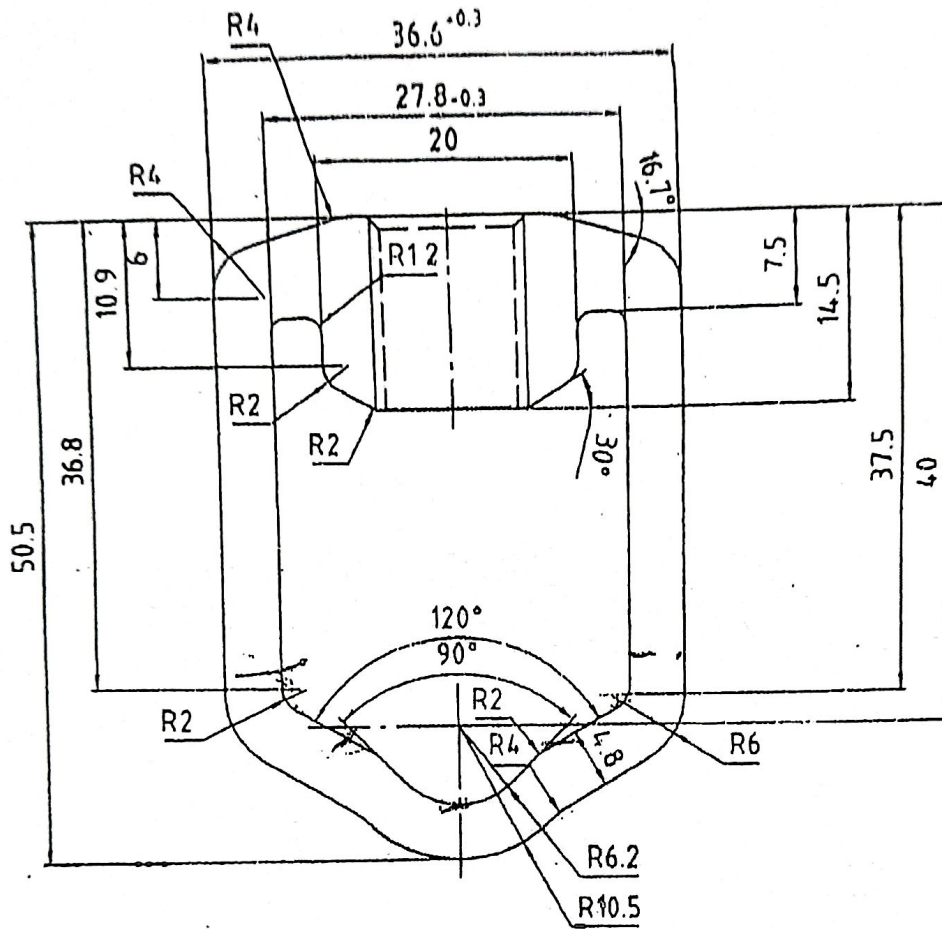


Aluminium Frame

Aluminium Alloy: EN AW-AlSi1MgMn 100HB (Hardness Brinell)



Drawing No. P11203 R+V

Dimension without given tolerance have to be in the spectrum

0,5 6mm ± 0,1

6,1 30mm ± 0,2

30,2 120mm ± 0,3

