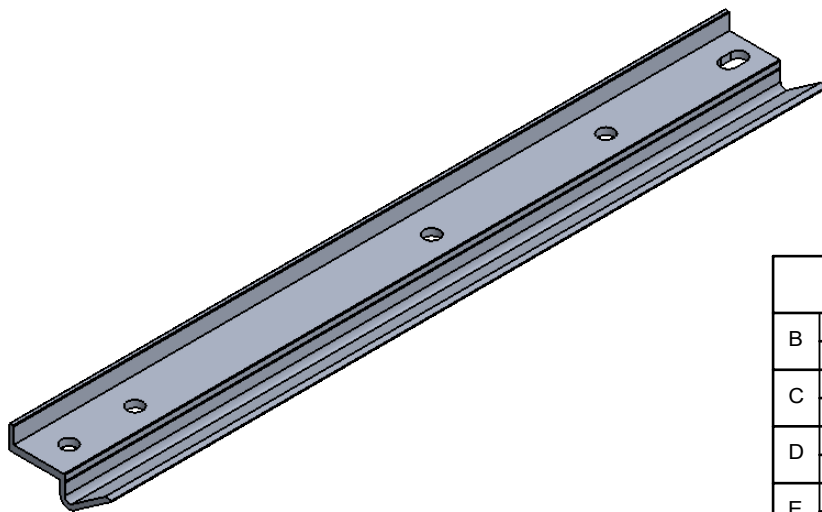
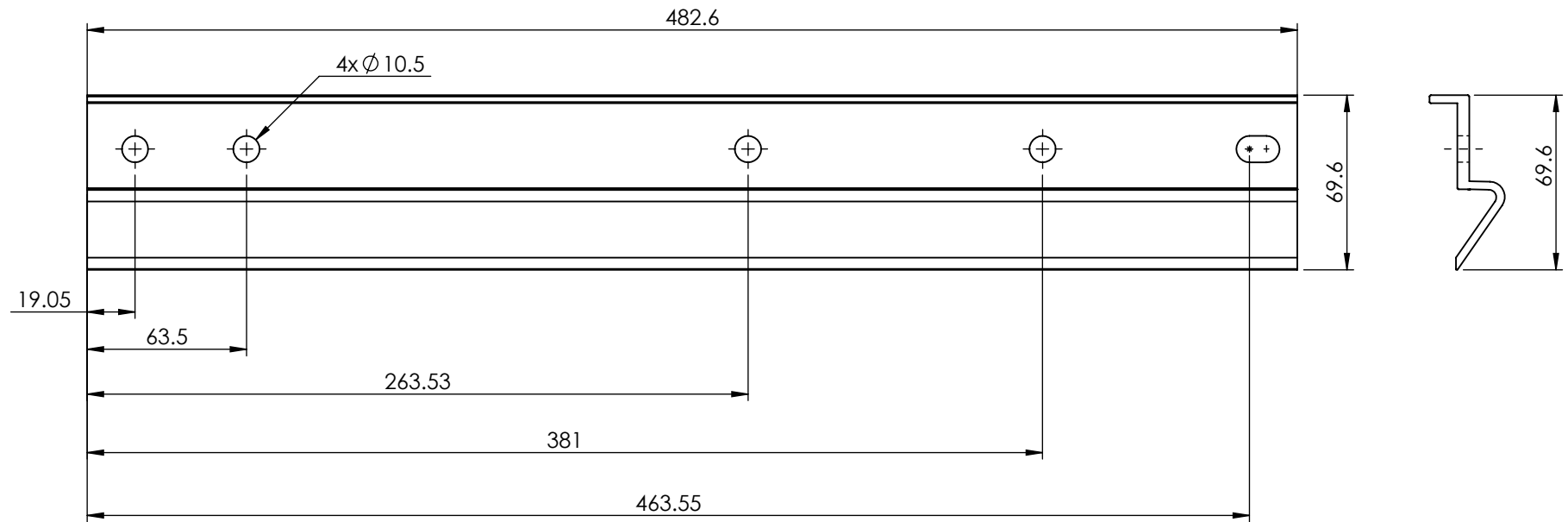


ALL DIMENSION ARE IN MM.


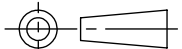
IF IN DOUBT, PLEASE ASK



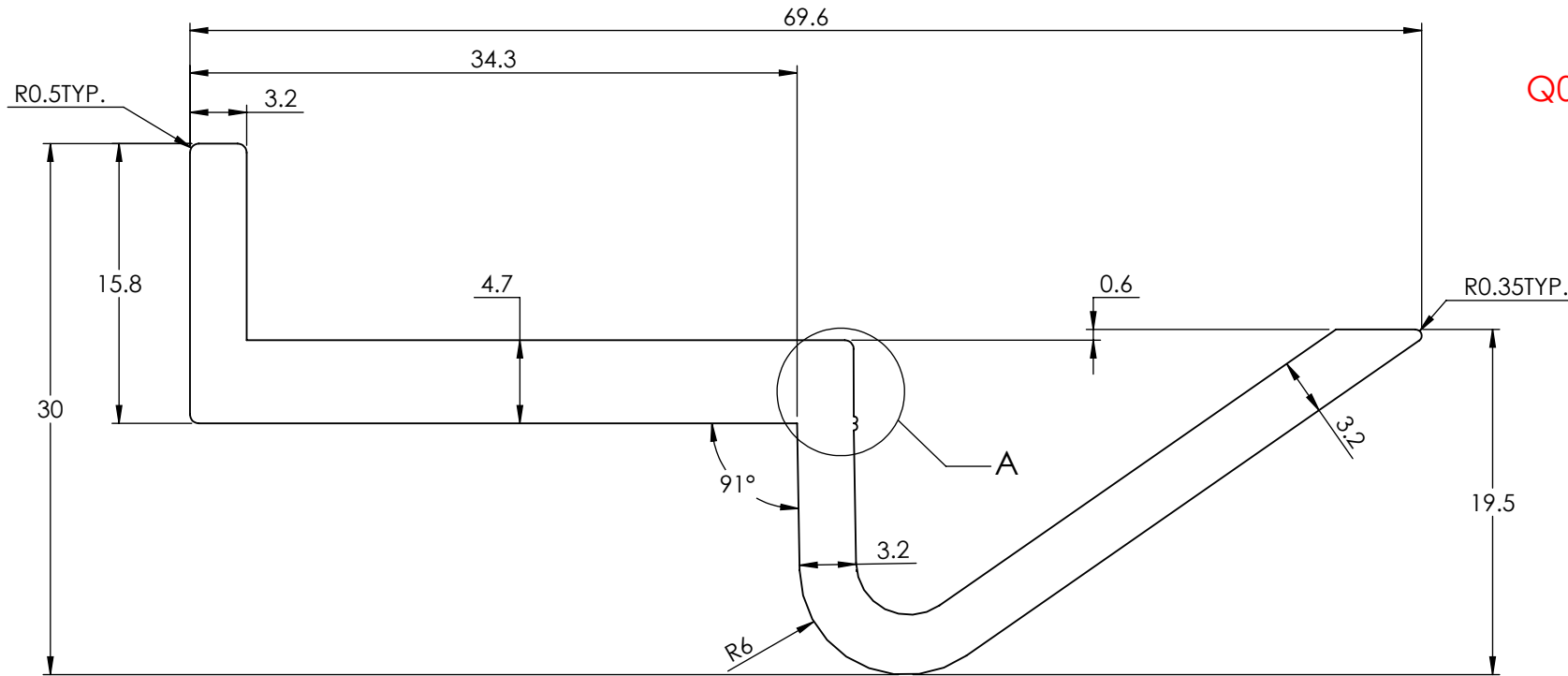
NOTE:-

- 1).Material:-Aluminium Extrusion 6061-T6 ALLOY
- 2).Product Net Weight:-0.47Kg.

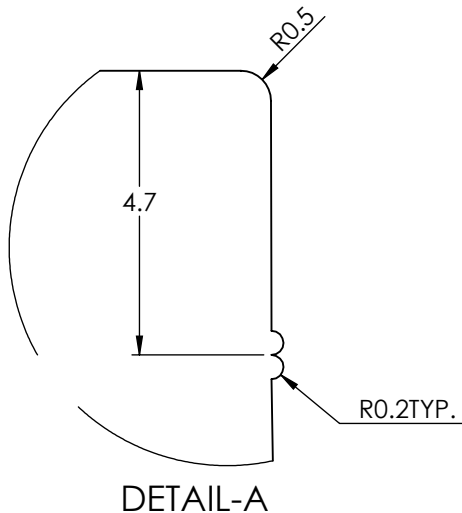
This drawing is the sole property of VIJAY ENGINEERING WORKS, JALANDHAR, Unauthorised use of this drawing, information disclosing loan, copying using for sub contracting, lending or any other misuse are not permitted.

REVISION		SIG	 B-28 FOCAL POINT Extn. JALANDHAR (PB) INDIA Email: sales@vijaytools.com Tel:- +919814061911				
B	OLD		DRN.	YASHPAL SHARMA		TITLE:- 19" ALUMINIUM CROSS BRACE DRILLED	
	NEW						
C	OLD		CHD.	GAURAV SACHDEVA			
	NEW						
D	OLD		APPD.	RAJAN AGGARWAL		DRG NO.	
	NEW					CPN.	M-MPACB19PE
E	OLD		REF NO.			THICKNESS :- ±10%	
	NEW						
F	OLD		GEN TOL.	ANGLE :- ±2°		DATE	REV NO
	NEW						
PROJECTION 		MATERIAL	SCALE	FORMAT	PAGE NO	DATE	REV NO
		6061-T6	N.T.S	A4	1 / 2	13-02-2024	A
FORMAT No. - FM/DG/S01			FM ISSUE DATE. - 01-06-2022		FM REV No. - 00		

IF IN DOUBT, PLEASE ASK



Q01401



NOTE:-

- 1).Material:-Aluminium Extrusion 6061-T6 ALLOY
- 2).Product Net Weight:-0.47Kg.

This drawing is the sole property of VIJAY ENGINEERING WORKS, JALANDHAR, Unauthorised use of this drawing, information disclosing loan, copying using for sub contracting, lending or any other misuse are not permitted.

REVISION		SIG	B-28 FOCAL POINT Extn. JALANDHAR (PB) INDIA Email: sales@vijaytools.com Tel:- +919814061911						
B	OLD		DRN.	YASHPAL SHARMA		TITLE:- 19" ALUMINIUM CROSS BRACE DRILLED			
	NEW		CHD.	GAURAV SACHDEVA					
C	OLD		APPD.	RAJAN AGGARWAL		DRG NO.			
	NEW		REF NO.			CPN.			
D	OLD		GEN TOL.	ANGLE :- ±2°		THICKNESS :- ±10%			
	NEW		PROJECTION	MATERIAL	SCALE	FORMAT	PAGE NO	DATE	REV NO
				6061-T6	N.T.S	A4	2 / 2	13-02-2024	A
			FORMAT No. - FM/DG/S01		FM ISSUE DATE. - 01-06-2022		FM REV No. - 00		