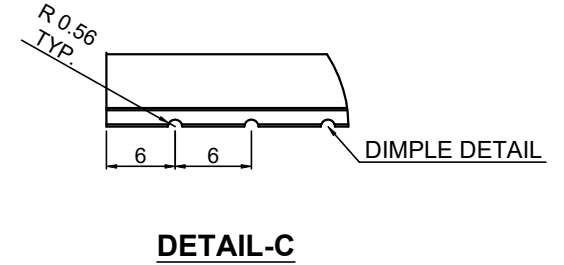
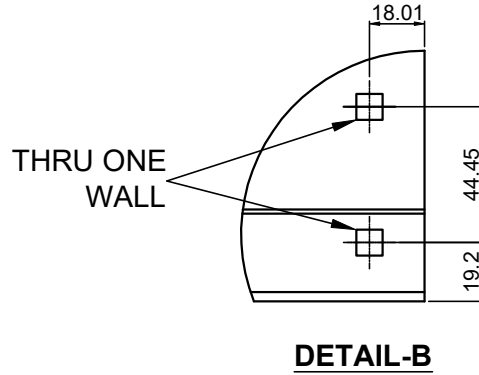
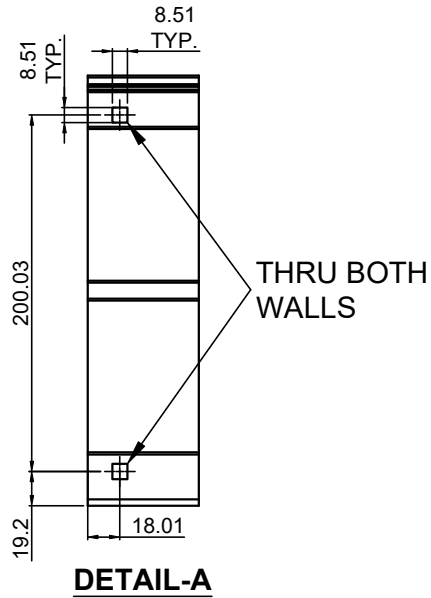
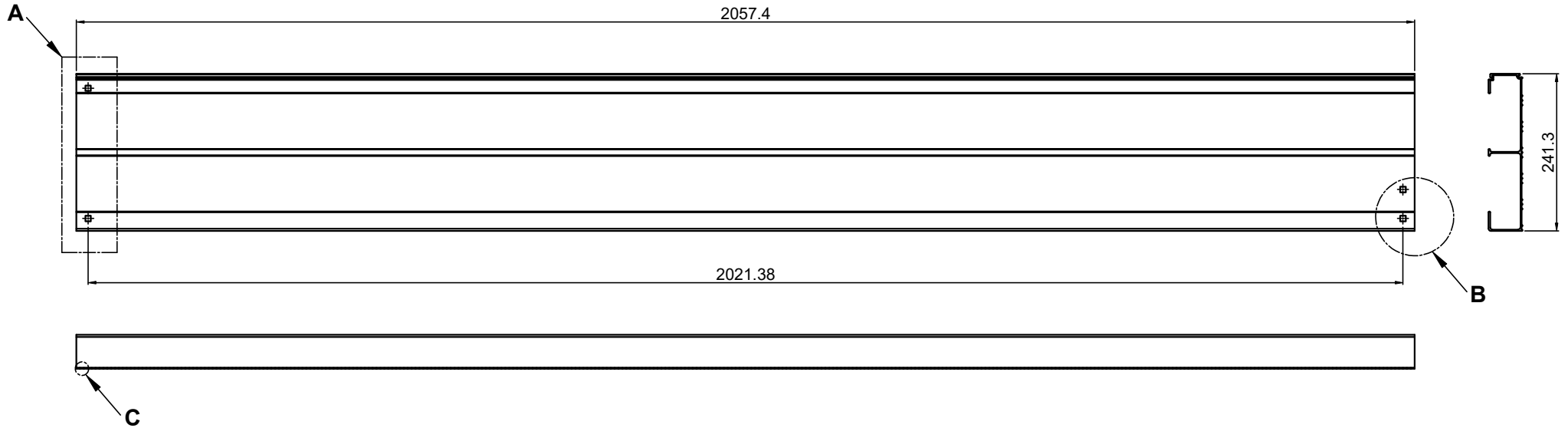

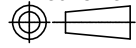


IF IN DOUBT, PLEASE ASK

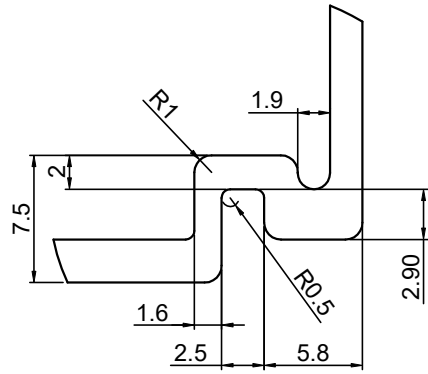
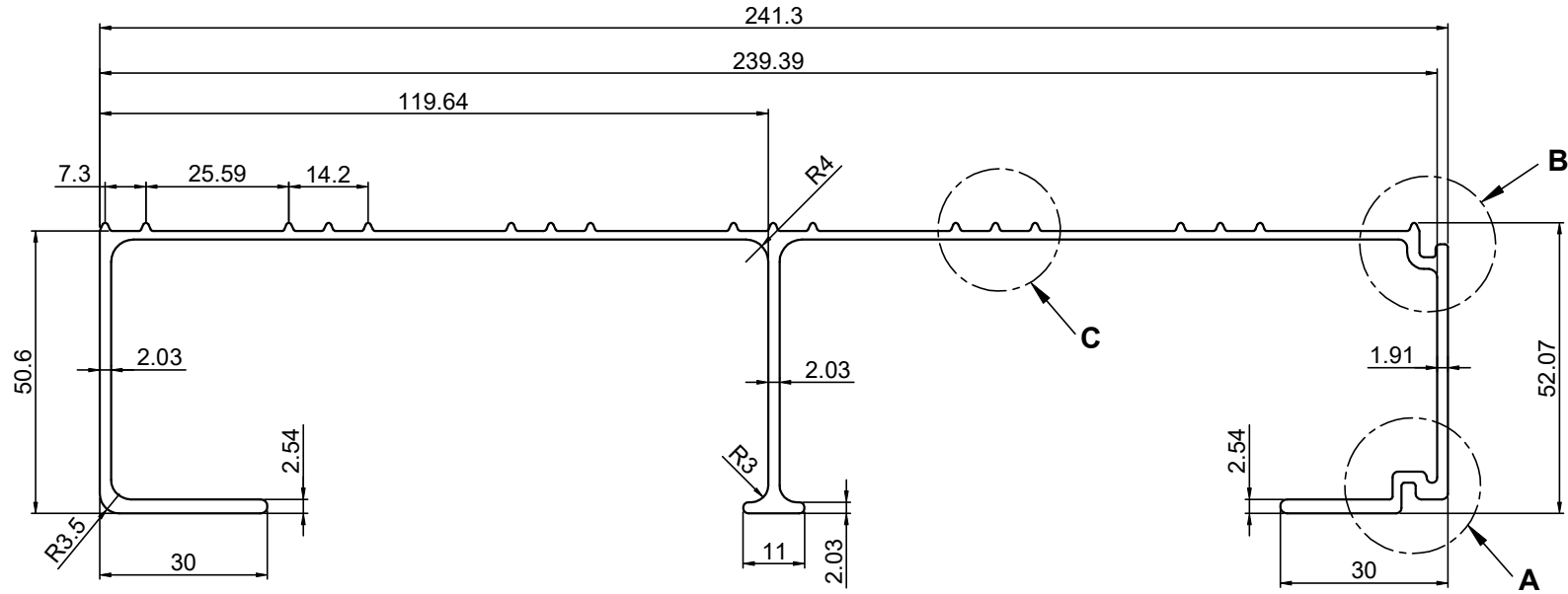


NOTE:-

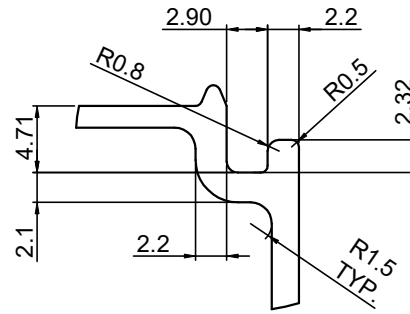
- 1). Material :- Aluminium Extrusion 6061-T6 Alloy.
- 2). Product Net Weight :- 4.95Kg.

REVISION		SIG.	B-28 FOCAL POINT Extn. JALANDHAR (PB) INDIA				
B	OLD		 Email: sales@vijaytools.com Tel:- +919814061911				
	NEW						
C	OLD		DRN.	RAJJAT	TITLE :-		
	NEW		CHD.	GAURAV SACHDEVA	7' ALUMINIUM DECK MALE SIDE		
D	OLD		APPD.	RAJAN AGGARWAL	DRG.NO.		
	NEW		REF.NO.		CPN.	M-MPAMA7	
F	OLD		GEN. TOL.	ANGLE:- ± 2°		THICKNESS :- ± 10%	
	NEW						
PROJECTION		MATERIAL	SCALE	FORMAT	PAGE No.	DATE	REV.
		6061-T6	N.T.S	A4	1 / 1	14-02-2024	A
FORMAT No. - FM/DG/B01			FM ISSUE DATE. - 01-06-2022		FM REV No. - 00		

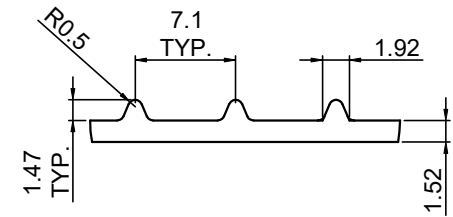
Q01403



DETAIL-A



DETAIL-B



DETAIL-C

NOTE:-

- 1). Material :- Aluminium Extrusion 6061-T6 Alloy.
- 2). Product Net Weight :- 4.95Kg.

REVISION		SIG.	B-28 FOCAL POINT Extn. JALANDHAR (PB) INDIA Email: sales@vijaytools.com Tel:- +919814061911						
B	OLD		DRN.	RAJJAT	TITLE :- 7' ALUMINIUM DECK MALE SIDE				
	NEW								
C	OLD		CHD.	GAURAV SACHDEVA					
	NEW		APPD.	RAJAN AGGARWAL	DRG.NO.				
E	OLD		REF.NO.		CPN.	M-MPAMA7			
	NEW		GEN. TOL.	ANGLE:- ± 2°		THICKNESS :- ± 10%			
F	OLD		PROJECTION 	MATERIAL	SCALE	FORMAT	PAGE No.	DATE	REV.
	NEW			6061-T6	N.T.S	A4	1 / 1	14-02-2024	A
			FORMAT No. - FM/DG/B01		FM ISSUE DATE. - 01-06-2022		FM REV No. - 00		

IF IN DOUBT, PLEASE ASK

This drawing is the sole property of VIJAY ENGINEERING WORKS, JALANDHAR. Unauthorised use of this drawing, information disclosing, loan, copying, using for sub contracting, tendering or any other misuse are not permitted.