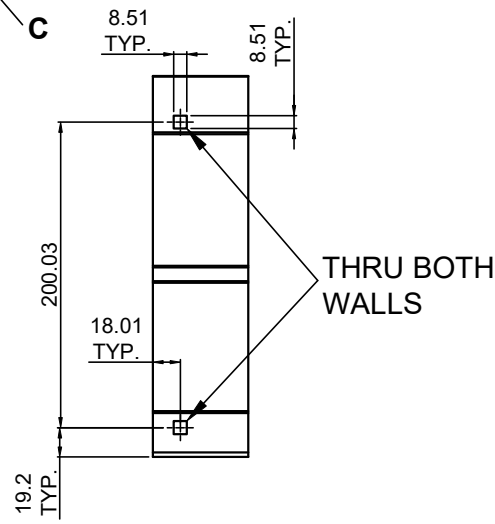
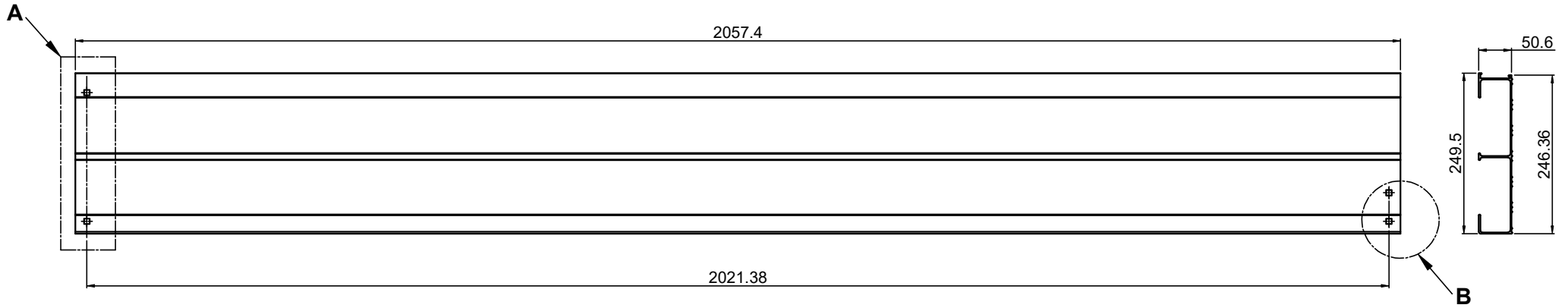
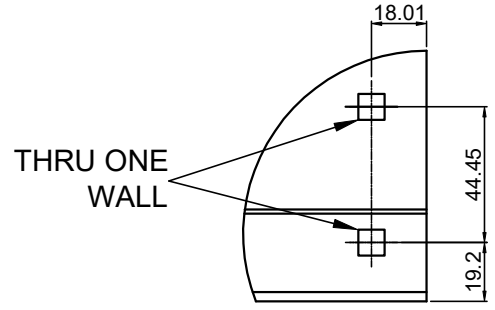


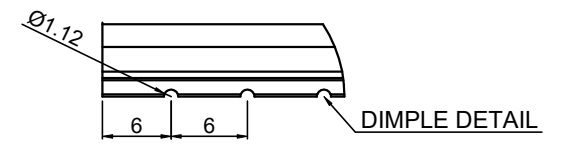
IF IN DOUBT, PLEASE ASK



DETAIL-A



DETAIL-B



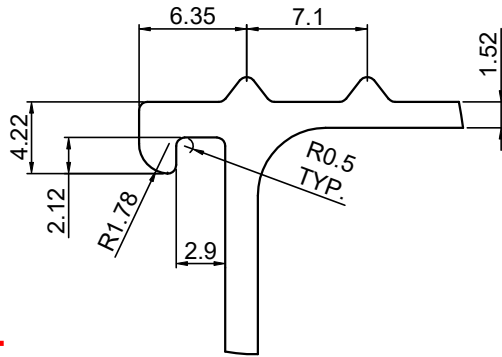
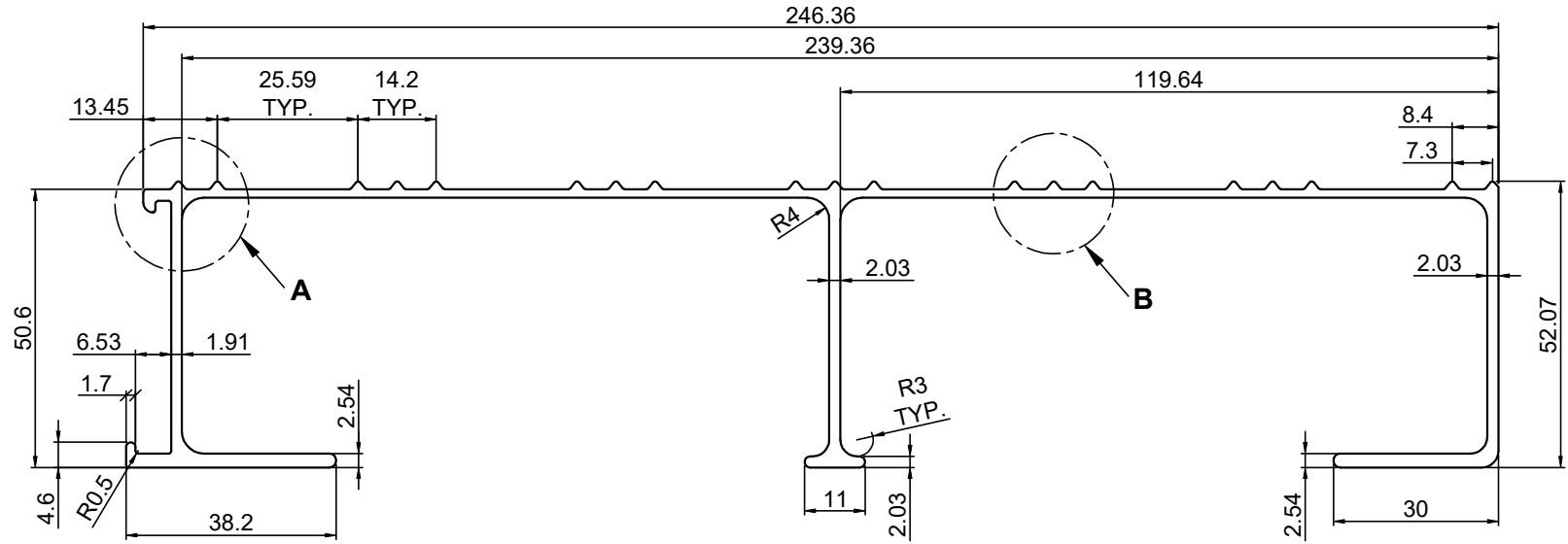
DETAIL-C

NOTE:-

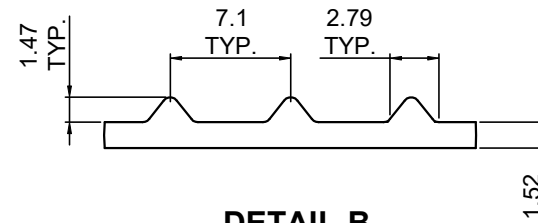
- 1). Material :- Aluminium Extrusion 6061-T6 Alloy.
- 2). Product Net Weight :- 5.15Kg.

REVISION		SIG.	B-28 FOCAL POINT Extn. JALANDHAR (PB) INDIA Email: sales@vijaytools.com Tel:- +919814061911				
B	OLD		DRN.	RAJJAT	TITLE :-		
	NEW		CHD.	GAURAV SACHDEVA	7' ALUMINIUM DECK FEMALE SIDE		
C	OLD		APPD.	RAJAN AGGARWAL	DRG.NO.		
	NEW		REF.NO.		CPN.	M-MPAFE7	
D	OLD		GEN. TOL.	ANGLE:- ± 2°		THICKNESS :- ± 10%	
	NEW		PROJECTION	MATERIAL	SCALE	FORMAT	
E	OLD			6061-T6	N.T.S	A4	
	NEW				PAGE No.	DATE	
F	OLD				1 / 1	13-02-2024	
	NEW				REV.	A	
FORMAT No. - FM/DG/B01			FM ISSUE DATE. - 01-06-2022			FM REV No. - 00	

This drawing is the sole property of VIJAY ENGINEERING WORKS, JALANDHAR. Unauthorised use of this drawing, information disclosing, loan, copying, using for sub contracting, tendering or any other misuse are not permitted.



DETAIL-A



DETAIL-B

Q01404

NOTE:-

- 1). Material :- Aluminium Extrusion 6061-T6 Alloy.
- 2). Product Net Weight :- 5.15Kg.

This drawing is the sole property of VIJAY ENGINEERING WORKS, JALANDHAR. Unauthorised use of this drawing, information disclosing, loan, copying, using for sub contracting, tendering or any other misuse are not permitted.

IF IN DOUBT, PLEASE ASK

REVISION		SIG.	B-28 FOCAL POINT Extn. JALANDHAR (PB) INDIA Email: sales@vijaytools.com Tel:- +919814061911						
B	OLD		DRN.	RAJJAT	TITLE :- 7' ALUMINIUM DECK FEMALE SIDE				
	NEW								
C	OLD		CHD.	GAURAV SACHDEVA	DRG.NO.				
	NEW		APPD.	RAJAN AGGARWAL					
D	OLD		REF.NO.		CPN.	M-MPAFE7			
	NEW		GEN. TOL.	ANGLE:- ± 2°		THICKNESS :- ± 10%			
E	OLD		PROJECTION 	MATERIAL 6061-T6	SCALE N.T.S	FORMAT A4	PAGE No. 1 / 1	DATE 13-02-2024	REV.
	NEW								A
F	OLD		FORMAT No. - FM/DG/B01		FM ISSUE DATE. - 01-06-2022		FM REV No. - 00		
	NEW								