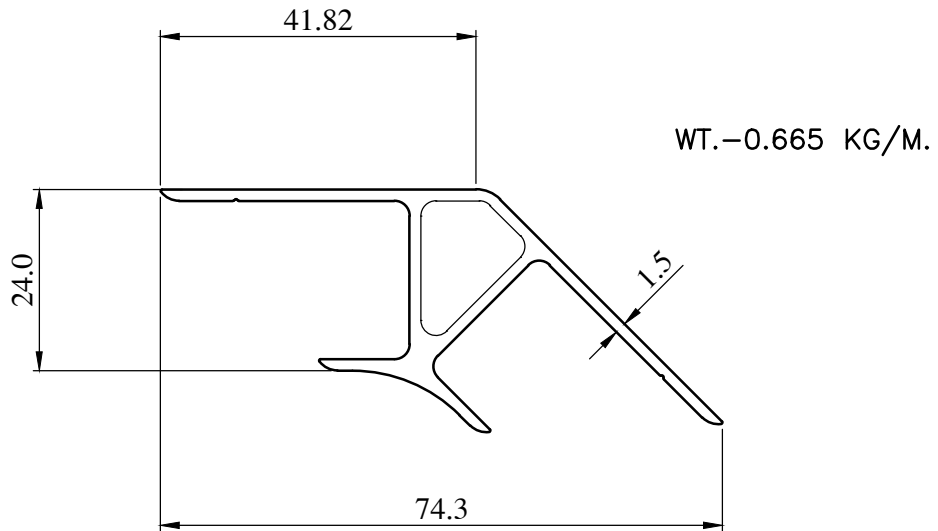


*PYROTECH ELECTRONICS PVT.LTD.*

PROPOSED DRAWING

*Q01409 ALLOY 6063 T6*



NOTE:- PROVIDE SAMPLE TO CHECK ALLOY, WE CAN GIVE ALLOY 6063 T6 ONLY FOR BOTH PROFILLES