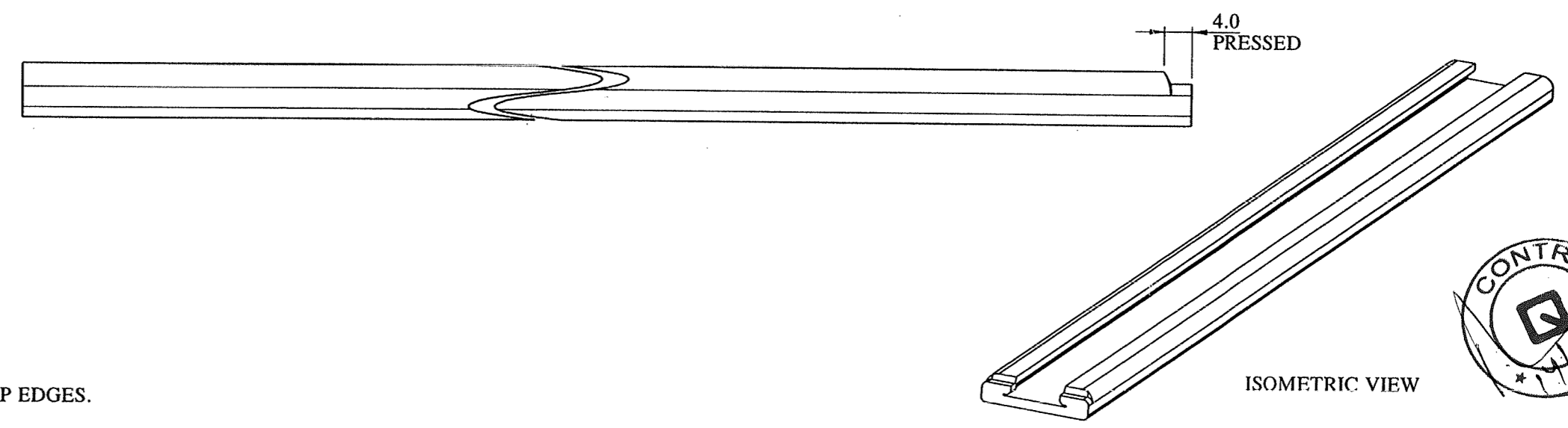
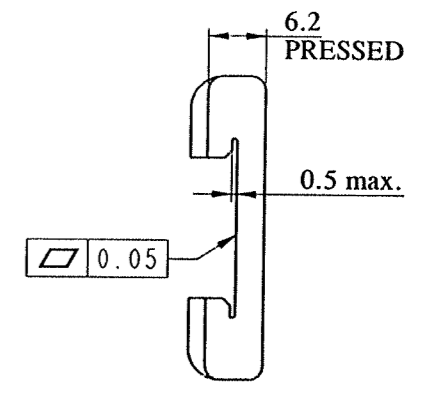
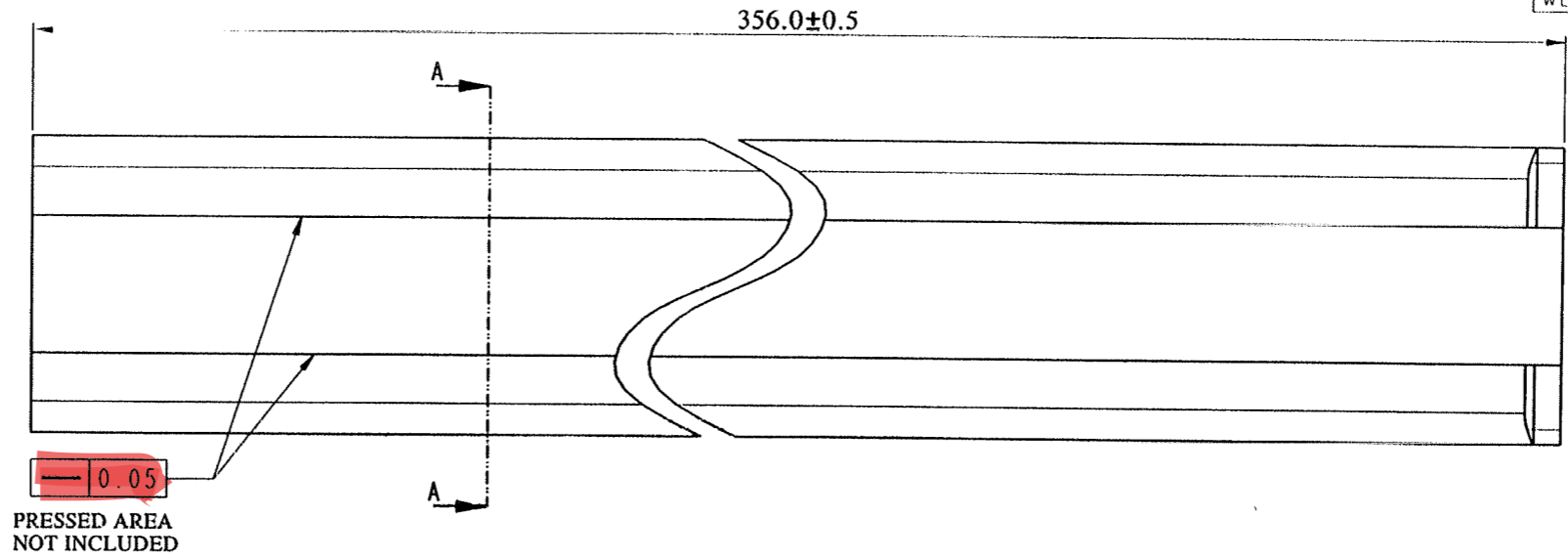
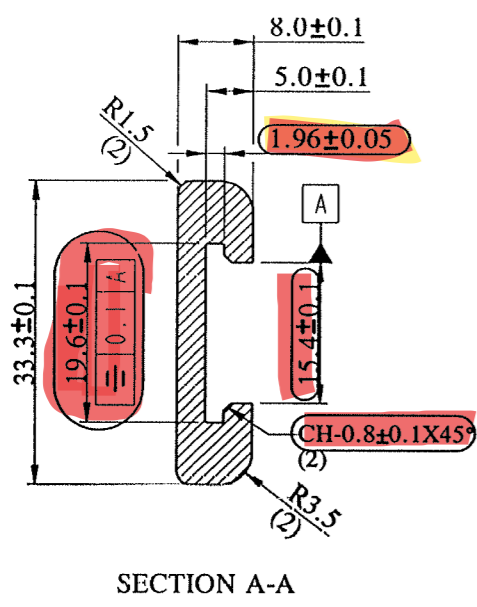


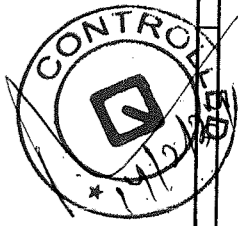
P.P.C	CNC	SPM	THREAD ROLLING	TRAUB DRILL	M/C	M/C TOOL	P. COATING	D. CASTING	H. T.	ASSY 1	ASSY 2	ASSY 3	ASSY 4	ASSY 5	ASSY 6	ASSY 7	DEV. 1	DEV. 2	DEV. 3	V.D. 1	V.D. 2	V.D. 3	C/M	TOOL ROOM	O.C. 1	O.C. 2	O.C. 3	PACKAGING	P. ENG	FRP	FGS
-------	-----	-----	----------------	-------------	-----	----------	------------	------------	-------	--------	--------	--------	--------	--------	--------	--------	--------	--------	--------	--------	--------	--------	-----	-----------	--------	--------	--------	-----------	--------	-----	-----

UNSPECIFIED PARAMETERS (UNLESS OTHERWISE SPECIFIED)			
W/TH AP. TH. ±1°		DIAMETERS SHOULD BE CONCENTRIC WITHIN 0.2mm	
SAND CAST / FORGED PARTS		MACHINED / OTHER PARTS	
UNSPECIFIED TOLERANCE LINEAR	RADIUS R1	UNSPECIFIED TOLERANCE LINEAR	DEBURR/CHAMFER 0.15X45° max
0.5 - 6 ±0.2	ROUGHNESS (Ra)	0.5 - 6 ±0.1	ROUGHNESS (Ra)
6 - 30 ±0.5		6 - 30 ±0.2	
30 - 120 ±0.8		30 - 120 ±0.3	
120 - 315 ±1.2	6.3 ✓	120 - 315 ±0.5	1.8 ✓
315 - 1000 ±2.0		315 - 1000 ±0.8	
DIE CAST PARTS DRAFT ANGLE 1°/S. RADIUS R1			
CRITICAL DIMENSIONS		ALL DIMENSIONS ARE IN MM	
COMPLIANCE REQUIREMENT			
ROHS	ROHS2	REACH	PROP65
POP	10 PAH	N/A	CE
GROUP	SUBGROUP		
STORAGE INFORMATION			
WEIGHT (Kg)	VOLUME (CM3)		

CONTROLLED FOR PROTOTYPE / SAMPLE ONLY  
 VALIDATED BY: *[Signature]*  
 APPROVED BY: *[Signature]* DATE: *[Date]*  
 VALID UP TO: *[Date]*  
 PMI IS TO BE INFORMED YES  NO   
 AUTHORIZED SIGNATORY: *[Signature]*



NOTE:-  
 1. PART SHOULD BE FREE FROM BURRS AND SHARP EDGES.  
 2. CHECK FITMENT WITH MATING PART.



						SCALE	NTS	GROZ ENGINEERING TOOLS PVT. LTD.		
						SHEET	1 OF 1			
						DRN. BY	NAME	SIGN	DATE	ASSY. Nos.
						CHKD. BY	AMIT		07-02-24	
						P. APPD. BY				MATL: ALUMINIUM [EN AA 6005/T5]
						VERIFIED/ APPD. BY				FINISH: ANODIZED RED
						ISSUE No.	ECN. No.	DESCRIPTION	CHGD. BY	AUTH. SIGN.
						INITIAL RELEASE			07/02/24	
										HARDNESS: --- WEIGHT: ---
										ART. No.: RAIL/ALR/1-2/14 DRG. No.: RAIL/ALR/1-2/14