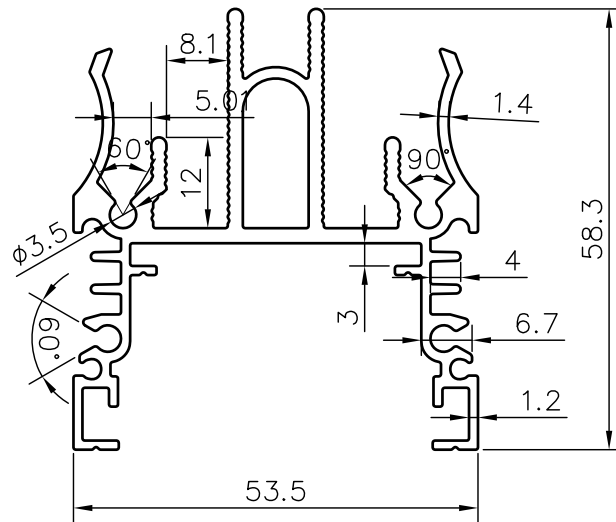


Q01437

PROPOSAL DRAWING



Area: 524.286 Sq.mm. | Perimeter: 570.128 mm. | Weight: 1.416 Kg./mtr.