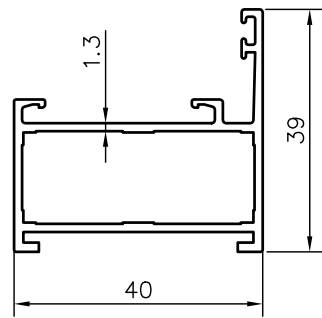
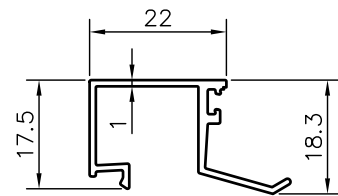


**Outer Frame**



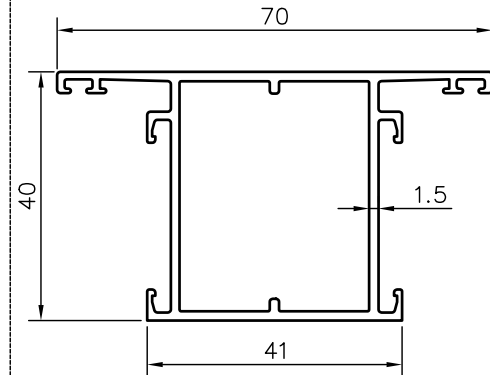
WEIGHT-0.576 KG/RMT

**Beading**



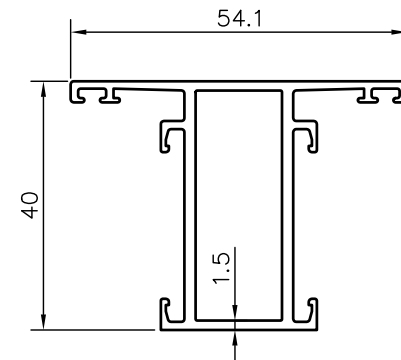
WT. 0.210 kg/m

**Shutter**



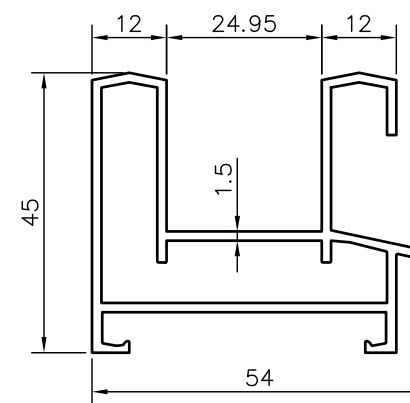
WT. 0.854 kg/m

**DIVIDER**



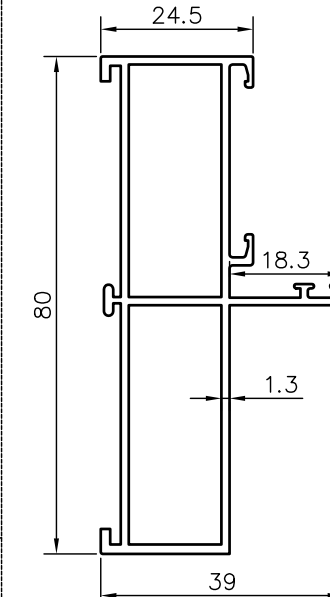
WT. 0.648 kg/m

**Sliding Outer Frame**



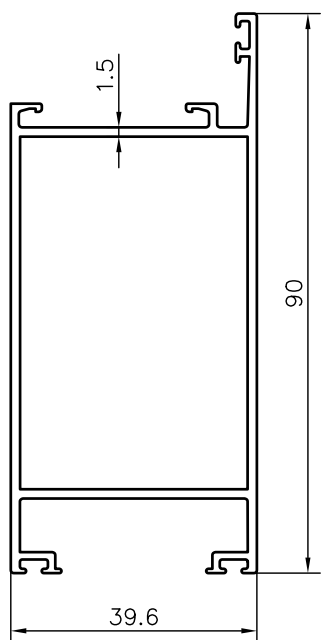
WT. 0.993 kg/m

**Casement Door Frame**



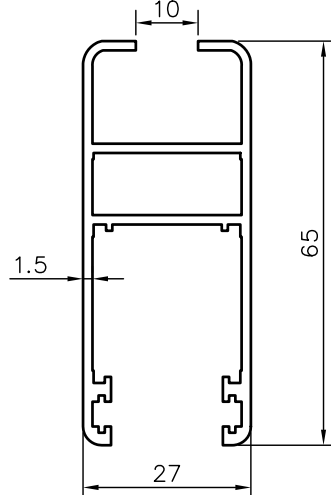
WT. 0.925 kg/m

**Door Bottom**



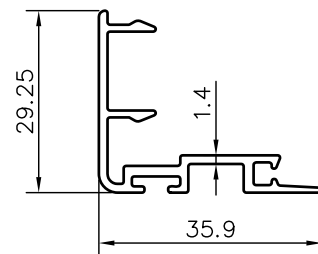
DOOR BOTTOM SEC WEIGHT-1.085 KG/RMT

**Sliding Shutter**



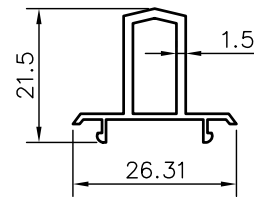
WT. 0.851 kg/m

**Sliding Interlock**



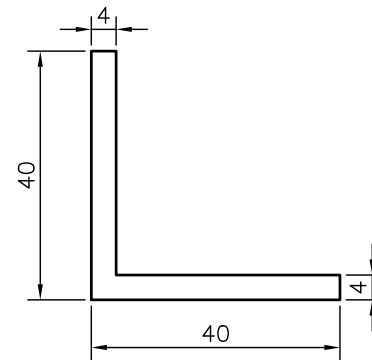
WT. 0.326 kg/m

**Sliding Meeting-Addon**



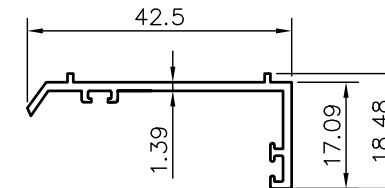
WT. 0.253 kg/m

**ALUMINIUM ANGLE**



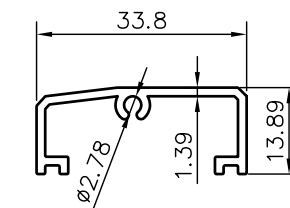
WT. 0.820 kg/m

**DOOR BOTTOM ADD ON**



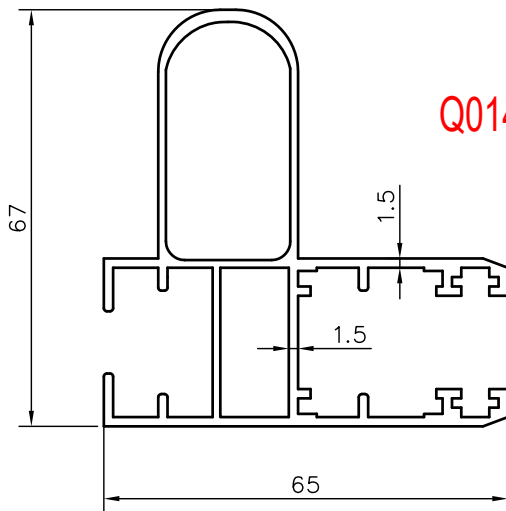
WT. 0.219 kg/m

**THRESH HOLD**



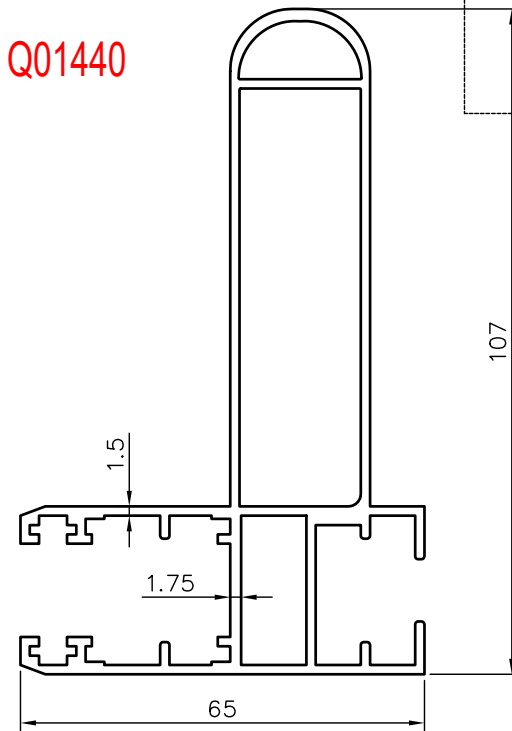
NEW  
WT. 0.279 kg/m

**Q01439**



SHUTTER WINDOW  
WEIGHT-1.33 KG/RMT

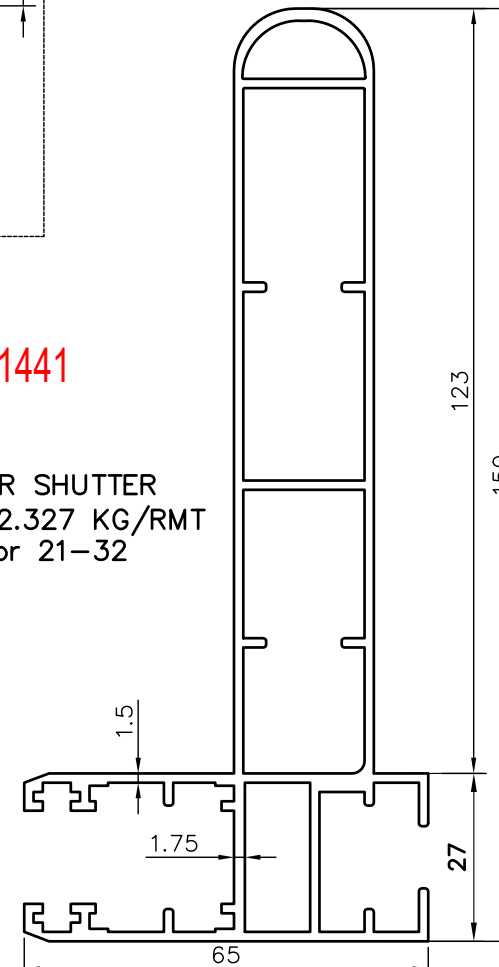
**Q01440**



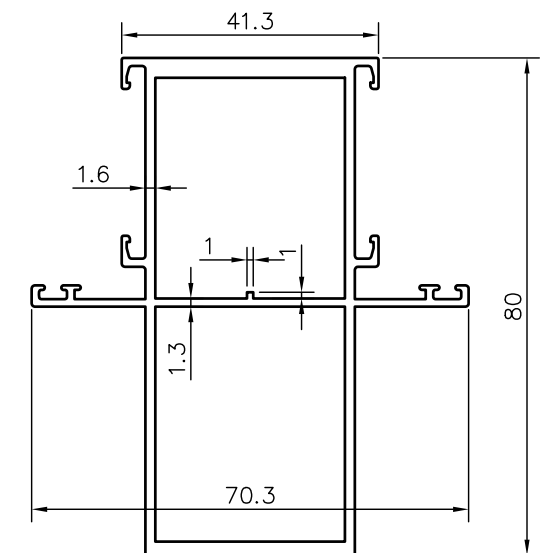
DOOR SHUTTER  
WEIGHT-1.85 KG/RMT  
Floor 1-20

**Q01441**

DOOR SHUTTER  
WEIGHT-2.327 KG/RMT  
Floor 21-32



**Casement Door Divider**



NEW  
WT. 1.530 kg/m

**FACADE CONTRACTOR**

AHLUWALIA CONTRACTS (INDIA) LTD.

ENGINEERING . DESIGNING . CONSTRUCTION  
A-177, OKHLA INDUSTRIAL AREA, PHASE-1  
NEW DELHI - 110020  
TEL: 49410517, 49410500, FAX: 49410553  
Email: mail@aclinet.com. Website: www.aclinet.com

**ARCHITECT**

**RKA**

RAJINDER KUMAR ASSOCIATES.  
ARCHITECTS, PLANNERS, DESIGNERS  
B-5/17, Shopping Centre  
Subhashy Enclave, New Delhi - 110029  
Tel: +91 011 26162820, 26162831  
Fax: +91 011 6100674

**PROJECT**

HOUSING DEVELOPMENT AT  
KALARAHANGA FOR Z ESTATE  
BHUBANESWAR. (PHASE-III)

**CLIENT**

Z ESTATES PVT. LTD. MCHARYA  
VIHAR BHUBANESWAR ODHISHA, INDIA  
TEL. - 0674-2540806, FAX. - 0674-2540898  
WEB: www.zestates.in

**TITLE**

PROFILE CHART(TOWER A,B,C,D,IC)

ASCASC CONSULTANT  
GENERATION NEXT GROUP, NEW DELHI

REV	DATE	REMARKS	DRAWN BY	RAVI
			CHECKED BY	NEERAJ
			DATE	06 JAN 2024
			SCALE	N.T.S.
			DRG.NO.	ZNZES/A/DET-10
			REV.NO.	01