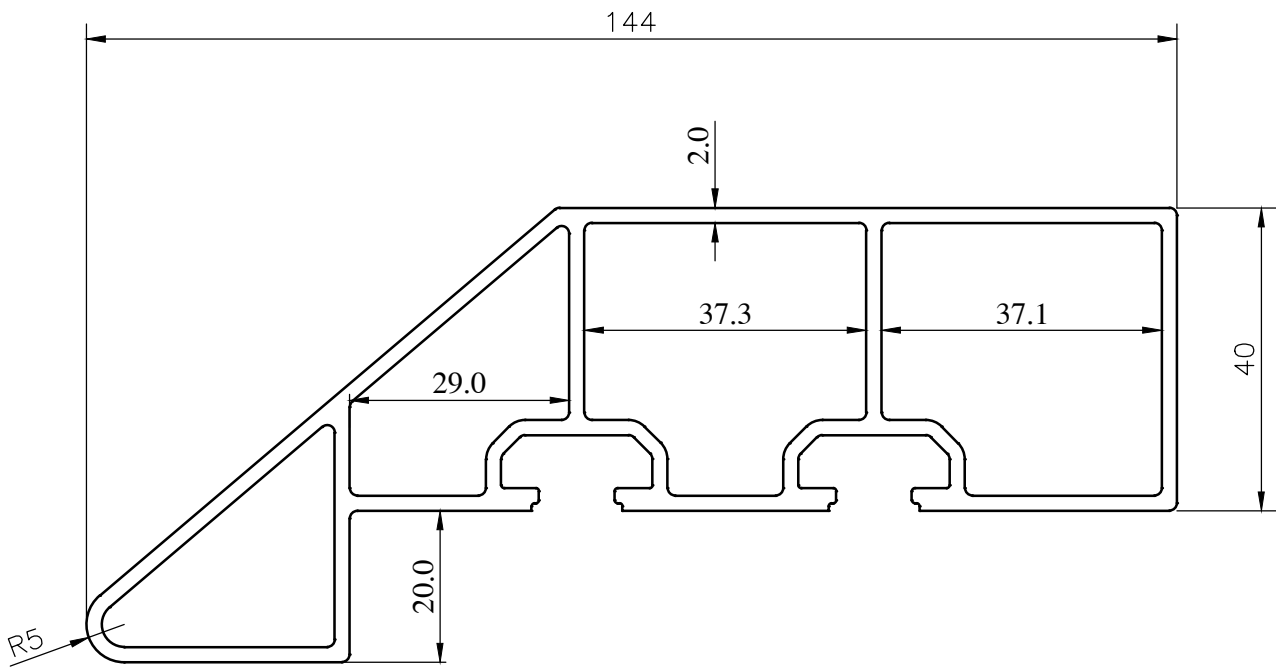


PYROTECH WORKSPACE SOLUTION PVT.LTD.

PROPOSED DRAWING

Q01448 ALLOY 6063 T6



WT. 2.660 kg/m