

### Quotation - UFLEX INDIA - NEW DIE

Sushant Yadav <sushant@jindalaluminium.com>

Mon 11-Mar-24 6:23 PM

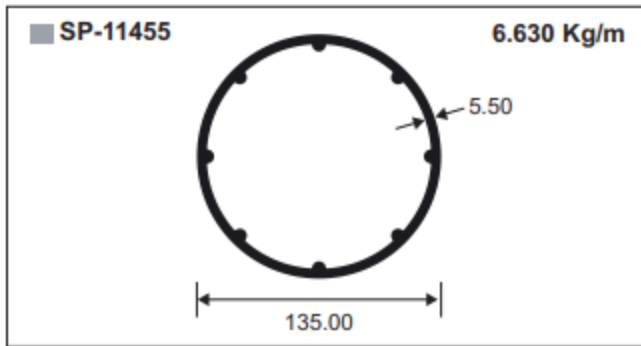
To:Vipeel Rambhal <vipeel.rambhal@jindalaluminium.com>

Cc:O K Sharma <oksharma@jindalaluminium.com>;Quotation <quotation@jindalaluminium.com>

Dear Team

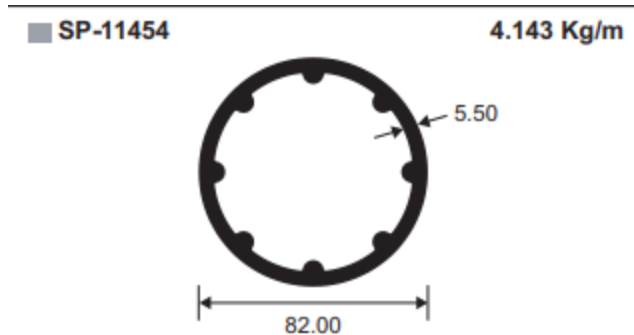
Please provide the Quotation of below enquiry of M/s. Uflex India.

AL.PIPE WITH RIB,MAT-ALLOY6063,OD135+/-1.5,ID124,TL1110MM,TYPE 8NOS RIB R4.10, RIB TO RIB ID115.80, PIPE WALL THICK 5.50+/-0.60, (L1110 MM - 70 NOS) SEC-11455



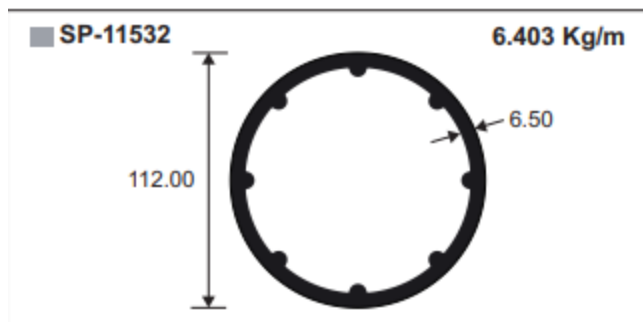
Q01458

AL.PIPE WITH RIB,MAT-ALLOY6063,OD82+/-1,ID71,TL1210MM,TYPE 8NOS RIB R4.10, RIB TO RIB ID62.80, PIPE WALL THICK 5.50+/-0.50, (L1210 MM - 150 NOS) SEC-11454



Q01459

AL.PIPE WITH RIB,MAT-ALLOY6063T6,OD112,ID99,TL3650MM,TYPE 8NOS RIB R4.10, RIB TO RIB ID90.80, PIPE WALL THICK 6.50+/-0.50, (L3660 MM - 05 NOS) SEC-11532



Q01460

AL.PIPE OD-127,WT-10,GRADE 6063T6 (L1210 MM - 150 NOS) SEC NO-1426

ANNUAL CONSUMPTION :

SECTION NO 11455 – 10 TON/YEAR

SECTION NO 11454 – 10 TON/YEAR

SECTION NO 11532– 12 TON/YEAR

SECTION NO 1426 – 08 TON/YEAR

Regards:

Sushant Yadav