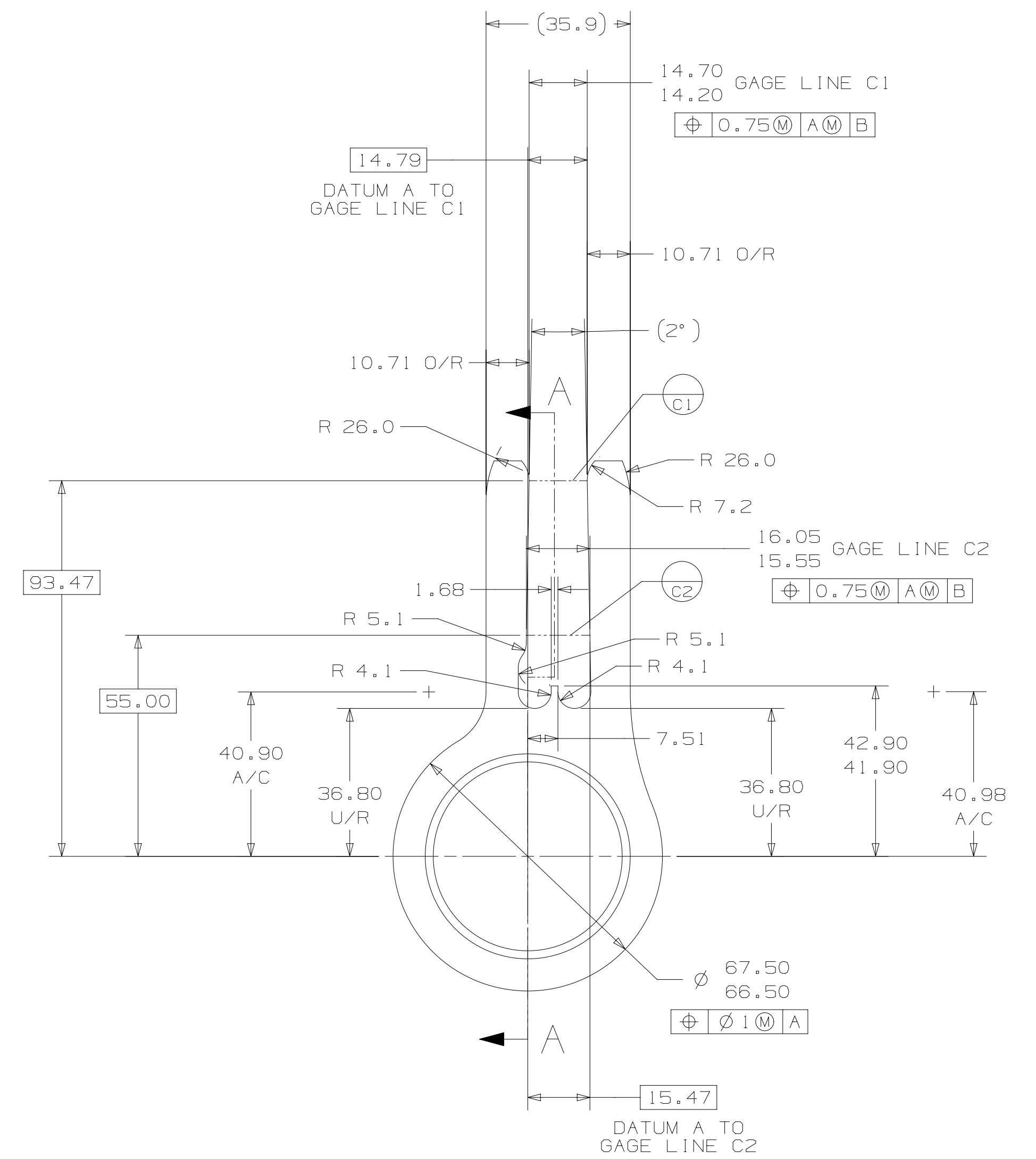
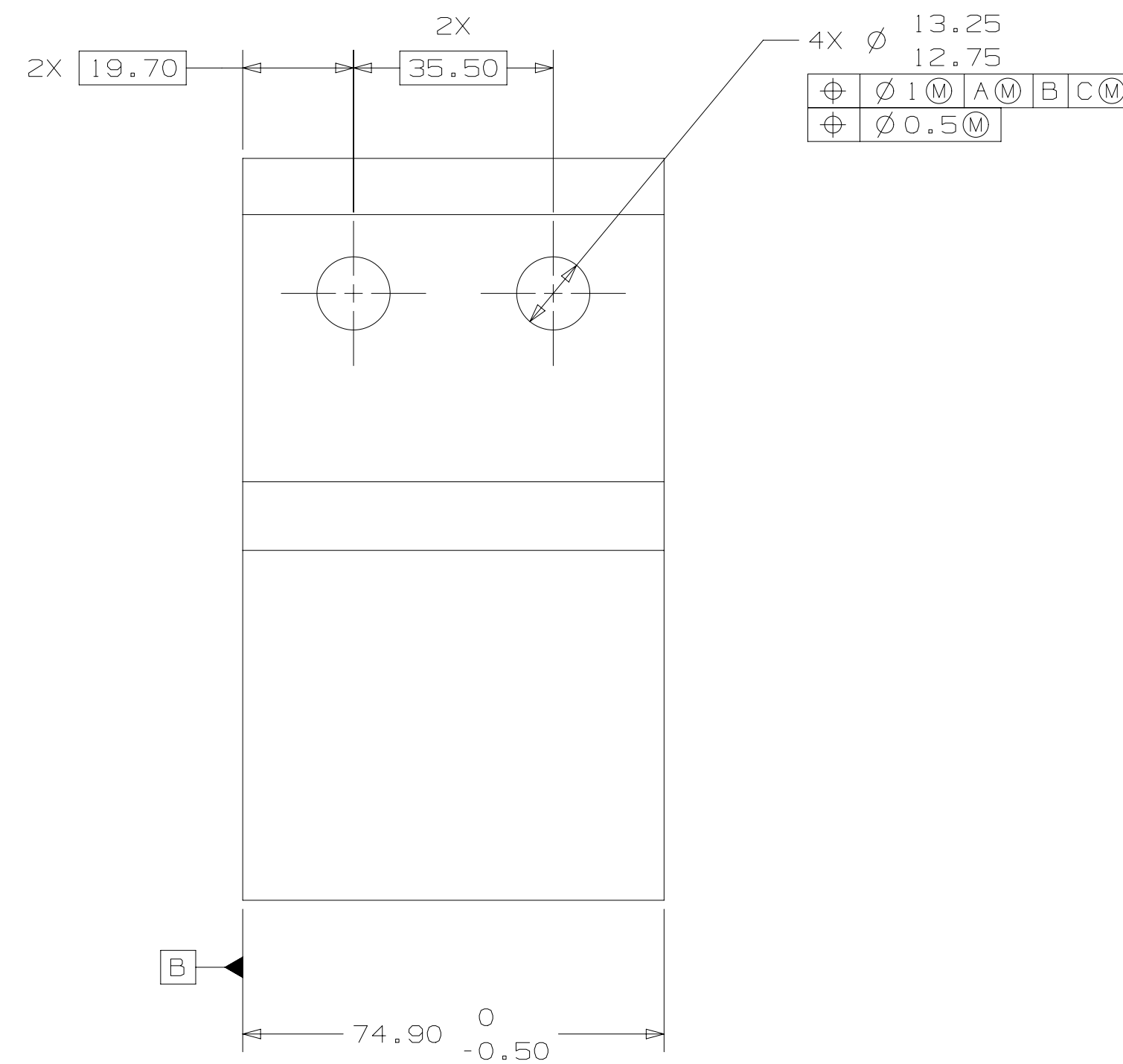
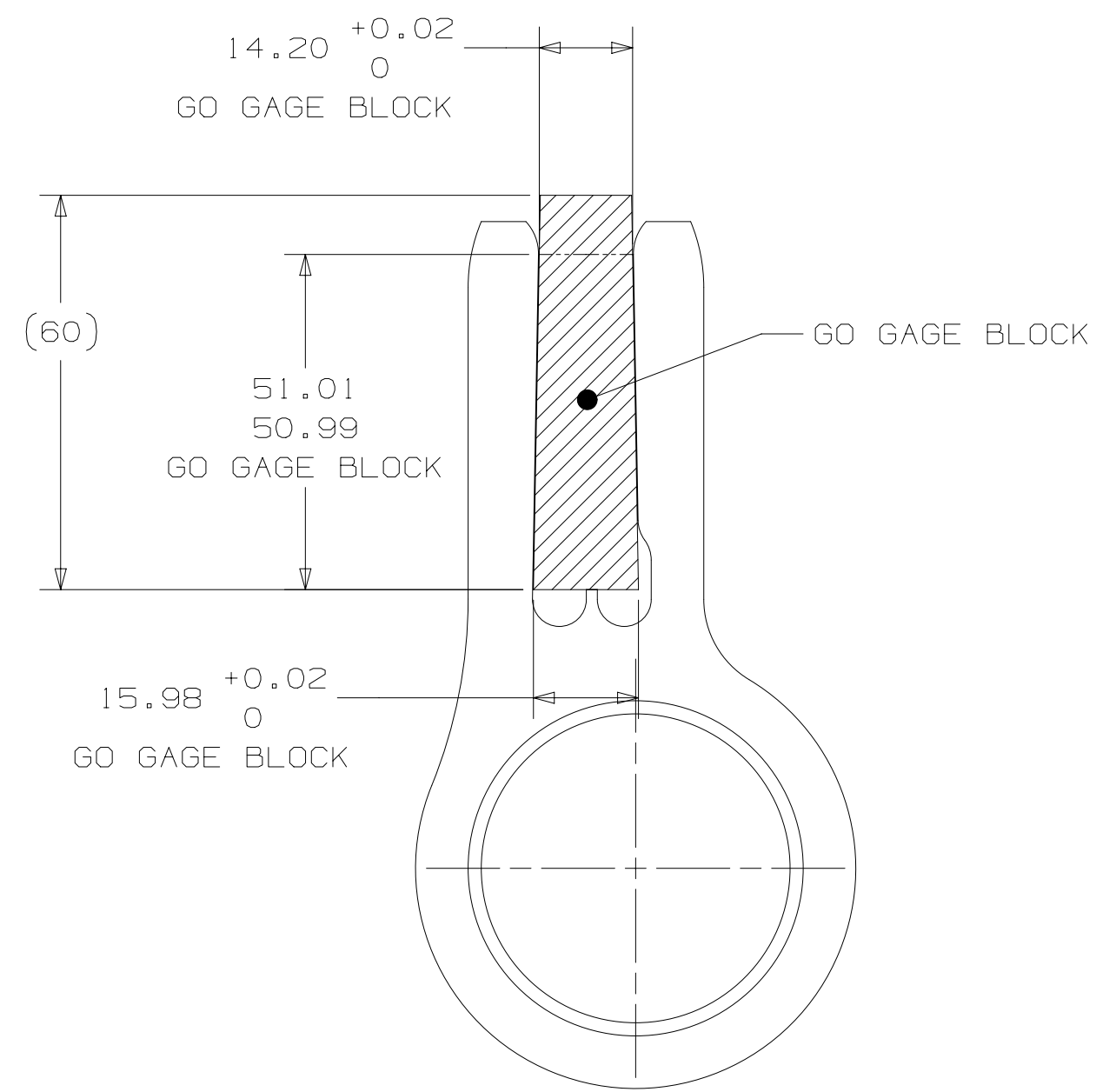
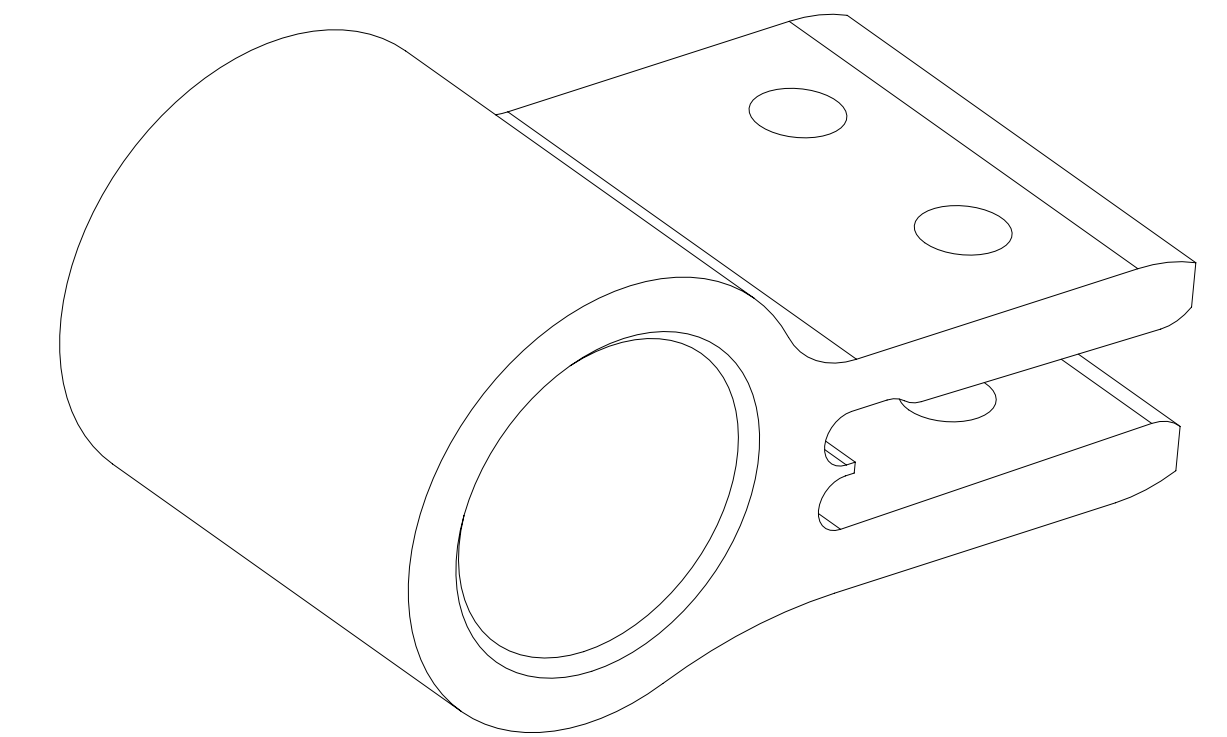
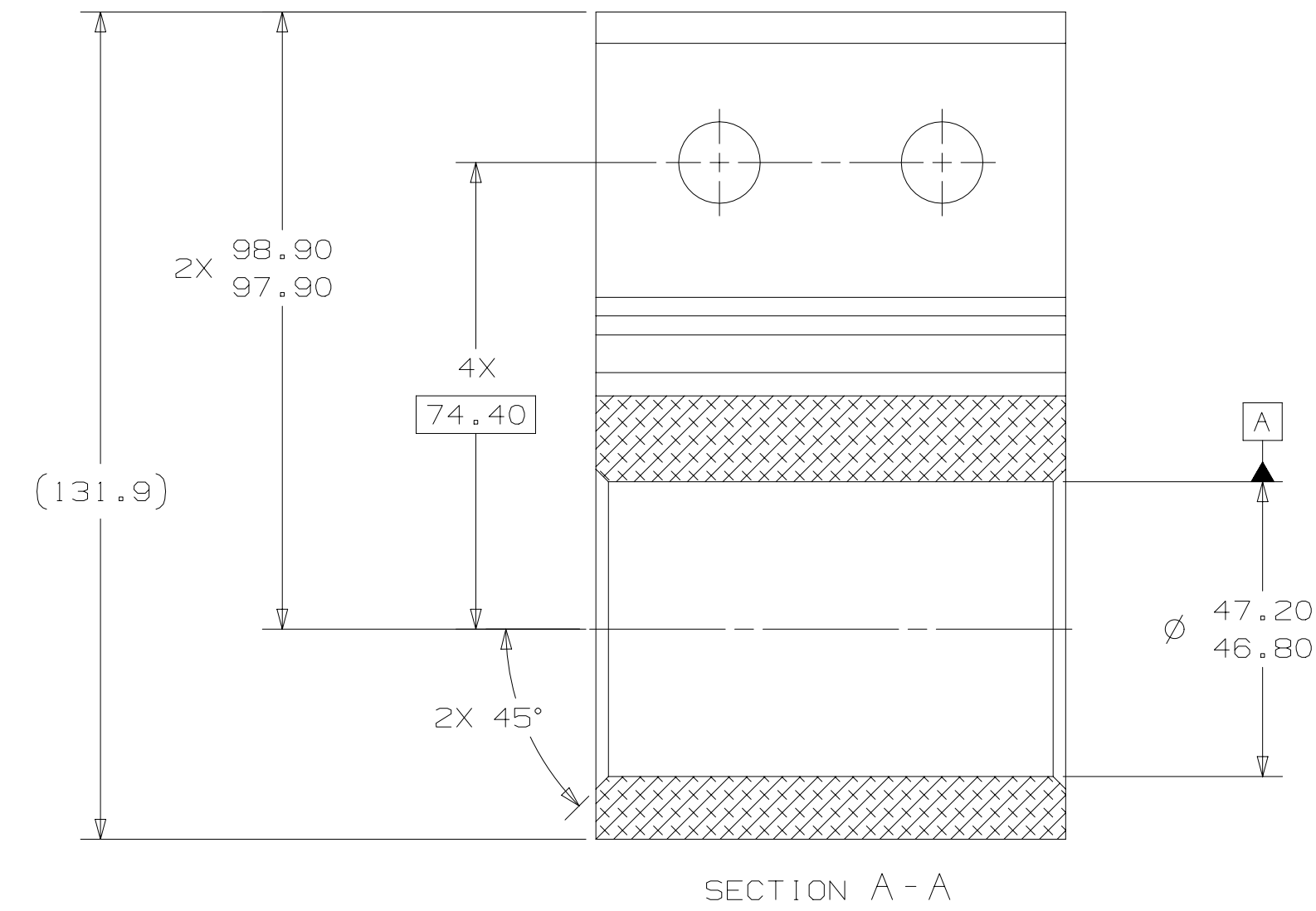
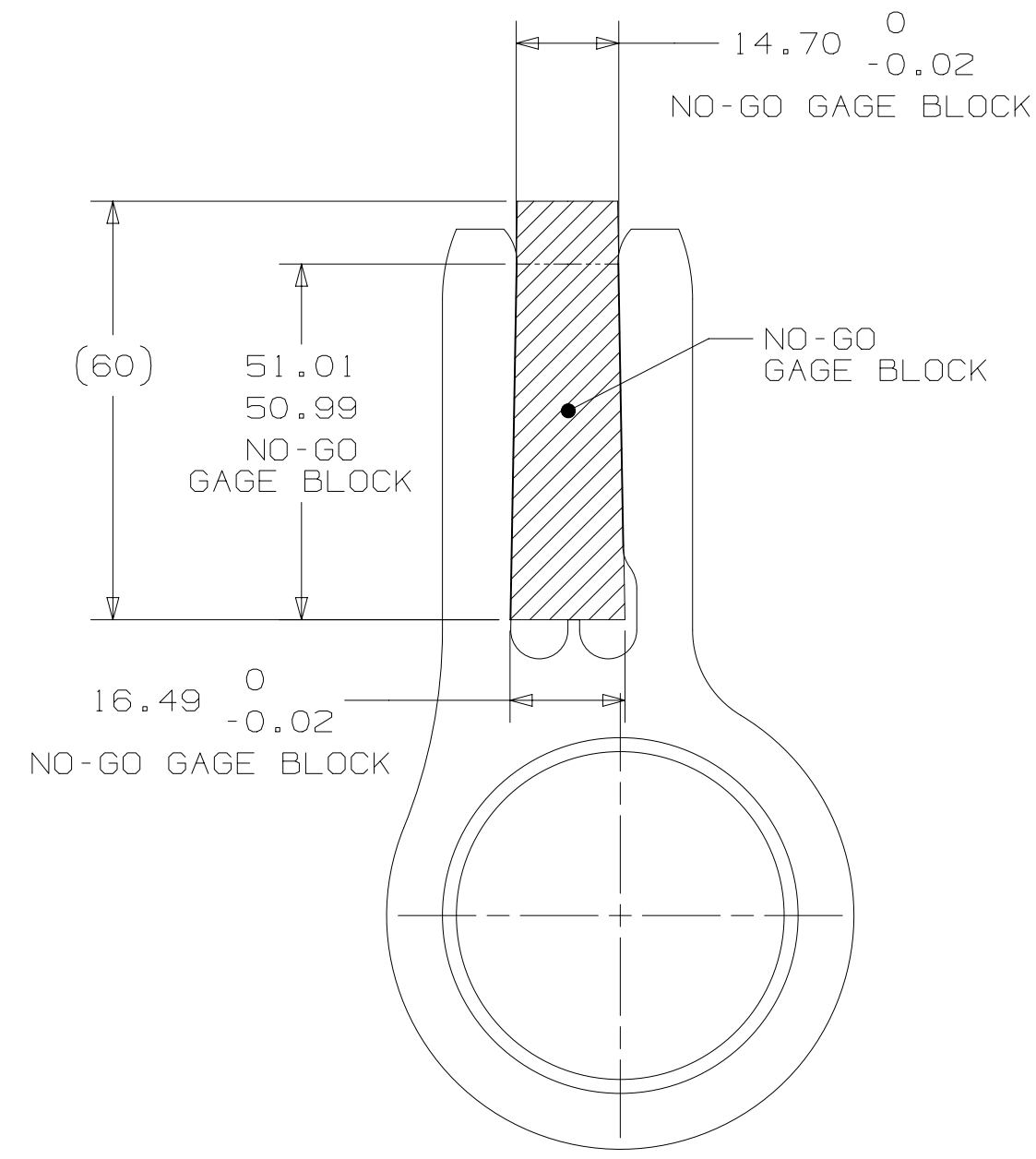


ISOMETRIC VIEW
REFERENCE ONLY



REFER TO MODEL FOR ANY DETAIL NOT SHOWN
BREAK ALL SHARP EDGES 0.5 MAX.
SURFACE ROUGHNESS ∇ Rz 25

REV.	DESCRIPTION	CHANGE #	BY	DATE

REV.	DESCRIPTION	CHANGE #	BY	DATE	REV.	DESCRIPTION	CHANGE #	BY	DATE

DB1	MATERIAL	ASTM B221M 6061-T6 ALUMINUM			
REL. DEV.	INITIAL & DATE	PART FILE#	SCALE	ANGLE	THIRD ANGLE PROJECTION
		SH01B959240	X, X+10, S	10, 15, 20, 30	
CHECKED BY	DATE	DRAWING TITLE			
MH	030724	COMPONENT			
DRG					
PL					