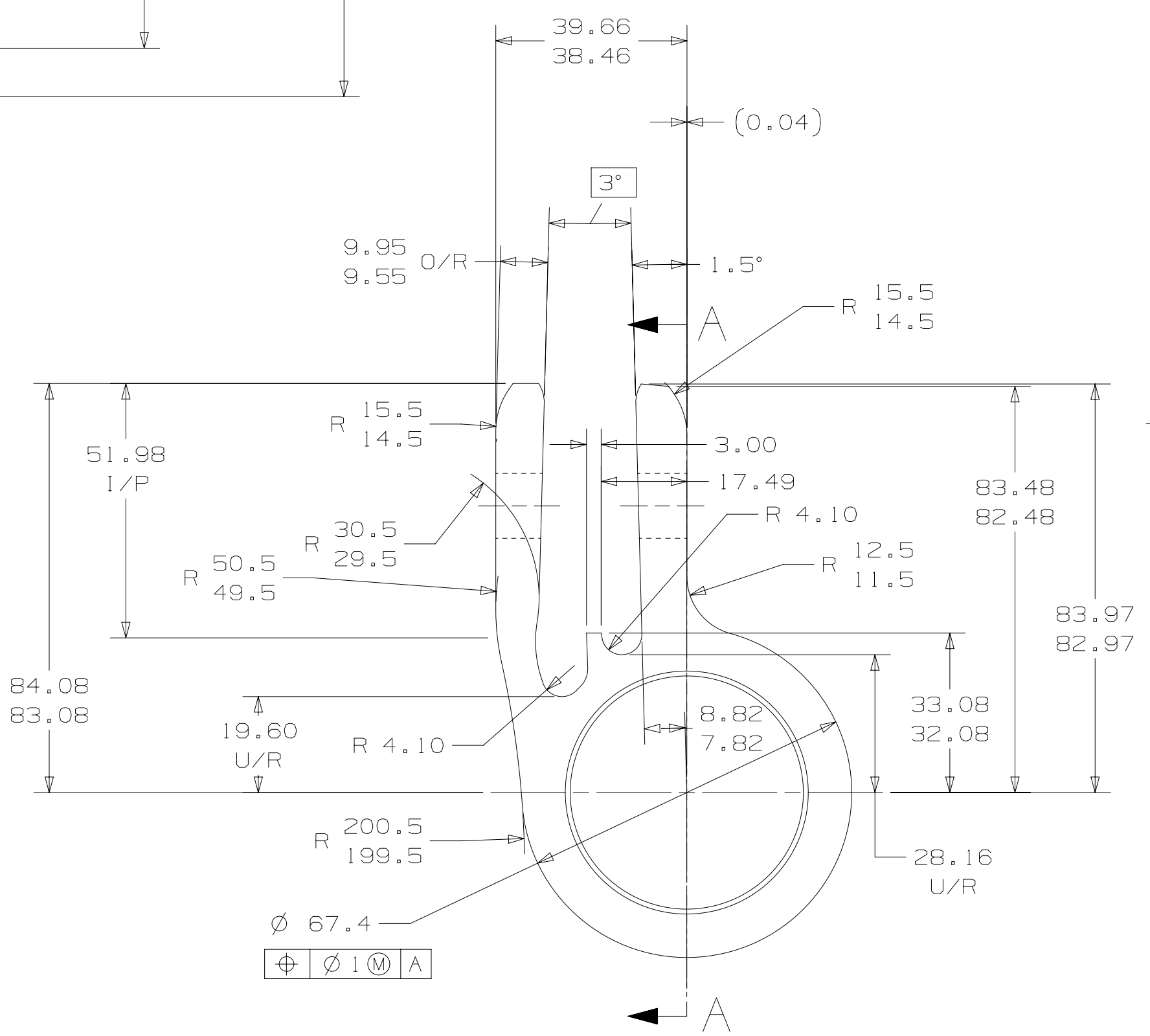
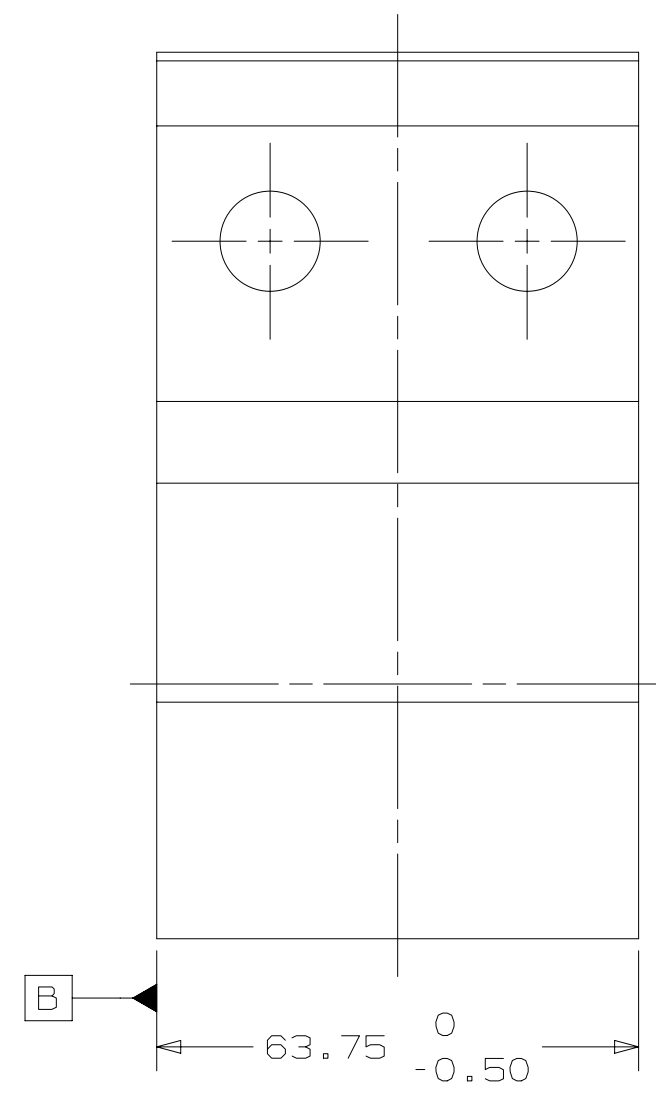
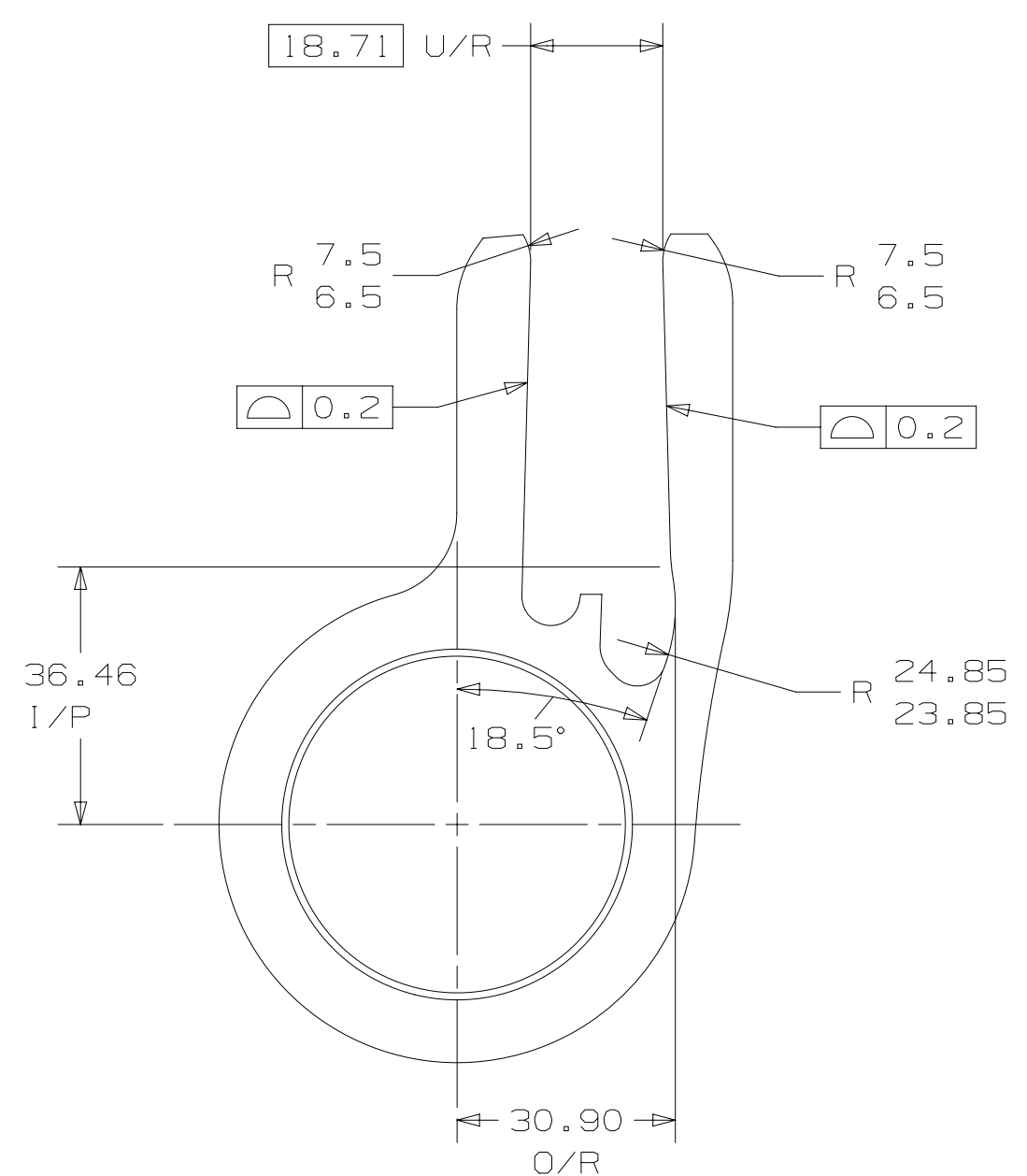
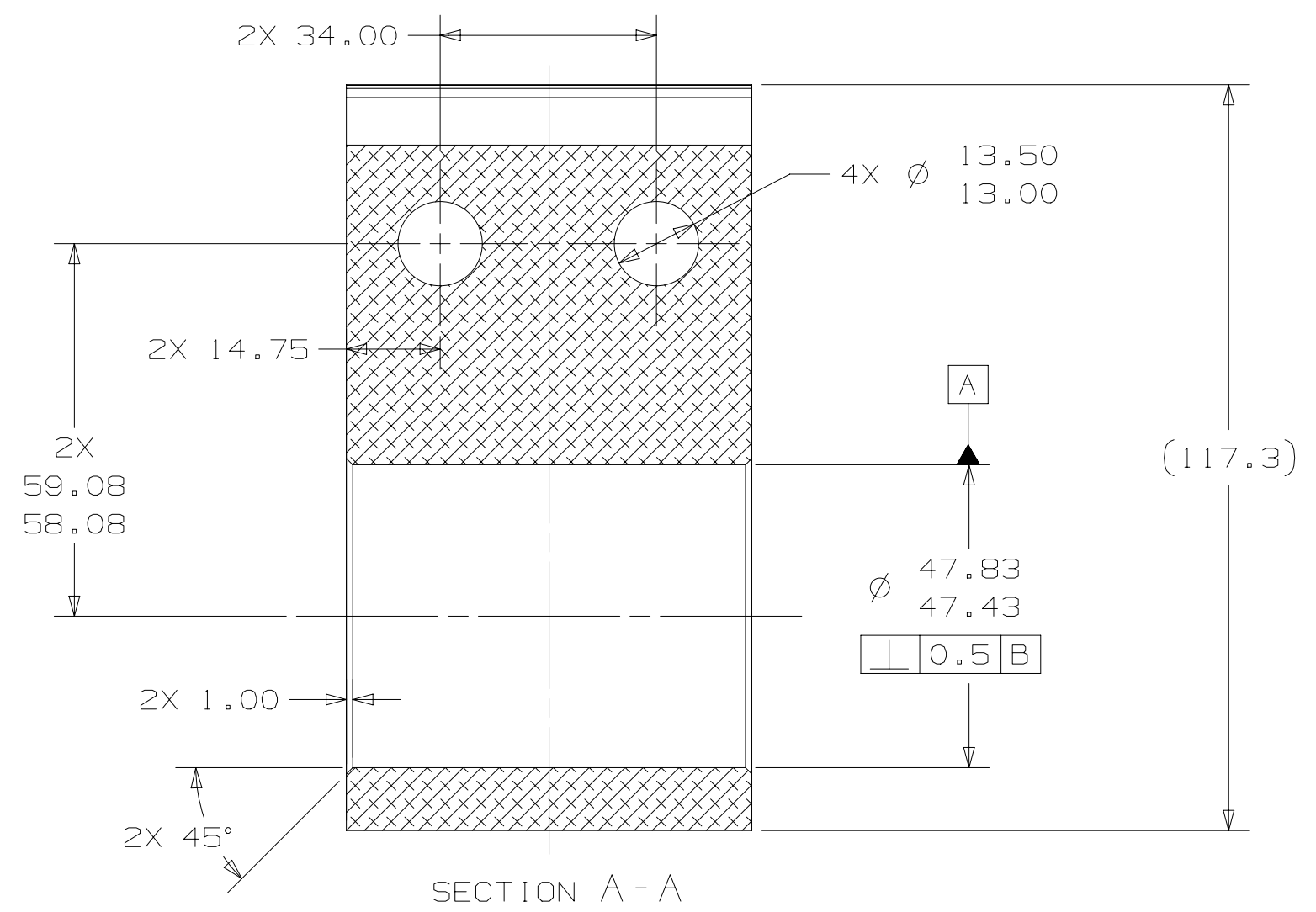
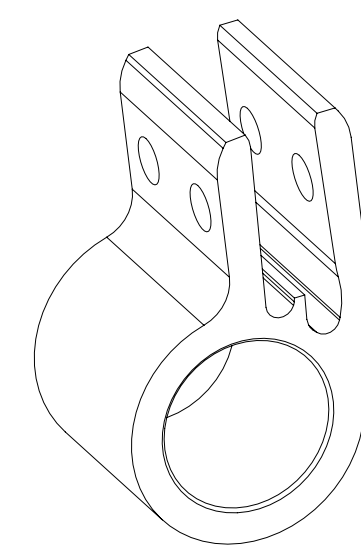


ISOMETRIC VIEW
REFERENCE ONLY
1:2 SCALE



BREAK ALL SHARP EDGES 0.5 MAX.
REFER TO MODEL FOR ANY
DETAIL NOT SHOWN
SURFACE ROUGHNESS \sqrt{Rz} 25

REV.	DESCRIPTION	CHANGE #	BY	DATE

REV.	DESCRIPTION	CHANGE #	BY	DATE

ORG DOC: DB: A MATERIAL: ASTM B221M 6061-T6 ALUMINUM

OUTSIDE DB: NO

REL. DEV. INITIAL & DATE PART FILE: SH01B959170 TOL. (UNLESS OTHERWISE SPECIFIED): X.XX±0.25 ANGLES±2°

CHECKED BY: DATE DRAWING TITLE

THIRD ANGLE PROJECTION