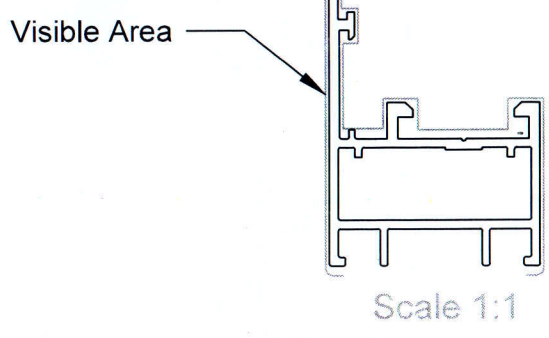
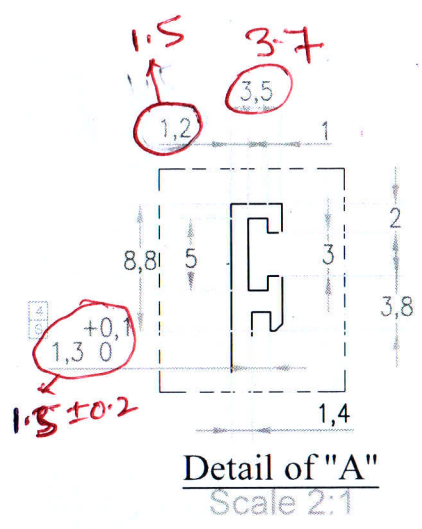


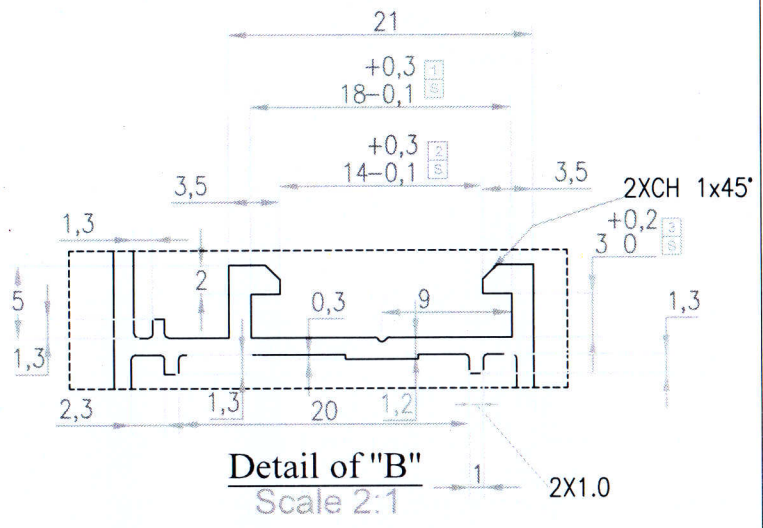
1 2 3 4

A

A

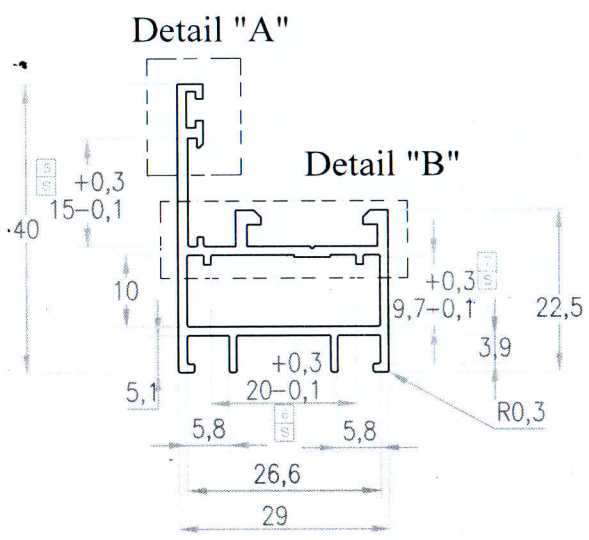


PROPOSAL DRAWING



C

C



Q02615

D

D

Scale 1:1 WT-0.4978 gm

FOR CONSULTAION

Perimeter Outer (mm)	Weight (Kg/m)	Ixx (cm <sup>4</sup> )	Iyy (cm <sup>4</sup> )
214.65	0.497 Kg/m	2.731	1.281

Notes:-

- A. Extrusion :
  - a. Part must be clean and free from tool marks.
  - b. No Waviness, Pitting, Bending acceptable on part.
  - c. Parts must be free from internal cracks.
- B. Part must be free from powder coating defect like Pitting, Blow holes, inclusion etc.
- C. Part must be same as engineering approved sample.

MATERIAL	ALUMINIUM 6063 T6
DENSITY	2700 kg m <sup>3</sup>
UNSPECIFIED CORNER RAD.	0.5mm
STRAIGHTNESS	As per EN12020 : (±3mm, 5m<l.<6m)
ANGULARITY	± 1° (EN12020)
FLATNESS TOL.	±0.8mm
TWIST TOL.	1.0mm/m (EN12020)
SIGNIFICANT CHARACTERISTICS	7
SURFACE FINISH:	Powder Coated
FINISH PERIMETER (MM):	153-7151

REV	Date	Prepared by	Approved By:	Description
All dimension are in mm.				

SCALE	2:1	Description:-
		OZ WD A C 29 P F 01 AL MF 29mm CWF
Format	A4	Drawing No :- A C 29 P F 01

Unspecified general tol- EN 12020-2 : 2016			
Dimensions	From 0.5 to 10	± 0.15mm	From 90 to 120 : ± 0.6mm
	From 10 to 15	± 0.20mm	From 120 to 150 : ± 0.8mm
	From 15 to 30	± 0.25mm	From 150 to 180 : ± 1 mm
	From 30 to 45	± 0.30mm	From 180 to 240 : ± 1.2 mm
	From 45 to 60	± 0.40mm	From 240 to 300 : ± 1.5 mm
	From 60 to 90	± 0.45mm	From 300 to 350 : ± 1.8 mm
Thickness	From 0 to 3	± 0.15mm	
	From 3 to 6	± 0.2mm	
	From 6 to 10	± 0.25mm	
	From 10 to 15	± 0.30mm	
	From 15 to 20	± 0.35mm	

DATE	28-10-2024	OZONE OVERSEAS PRIVATE LIMITED		Sheet	1 of 1	
Prepared by	Rajeev Kumar	Checked by	Ritesh Srivastava	1st Approver	Ritesh Srivastava	
				2nd Approver	Vivek Gupta	
CONFIDENTIAL - EXCLUSIVE PROPERTY OF OZONE OVERSEAS PVT LTD					Rev.	00

1 2 3 4

F

F