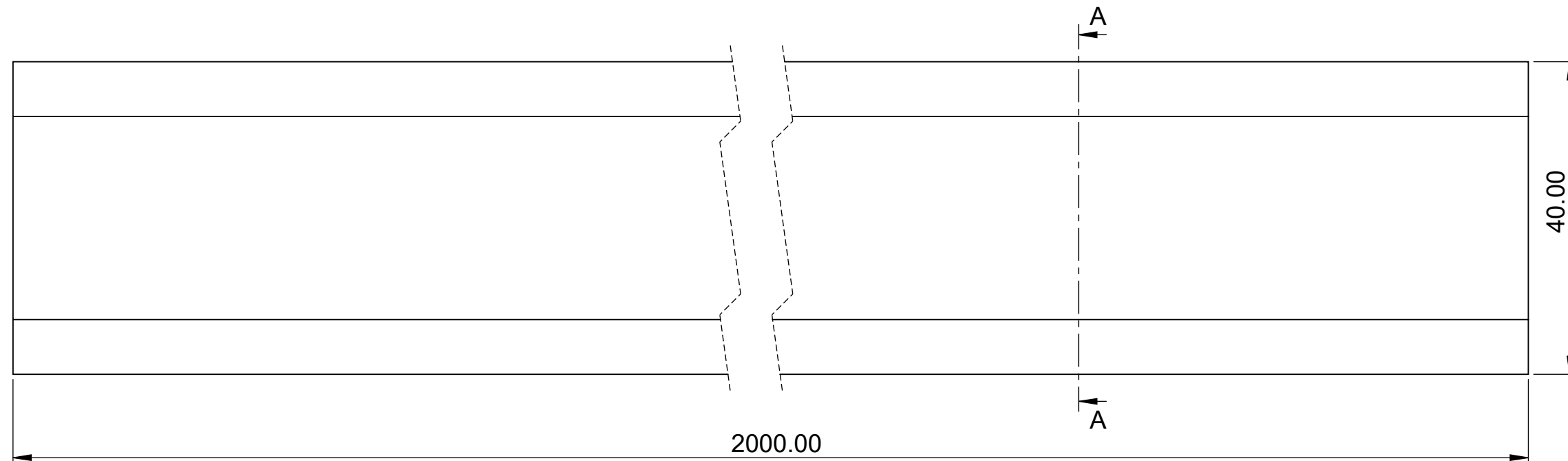
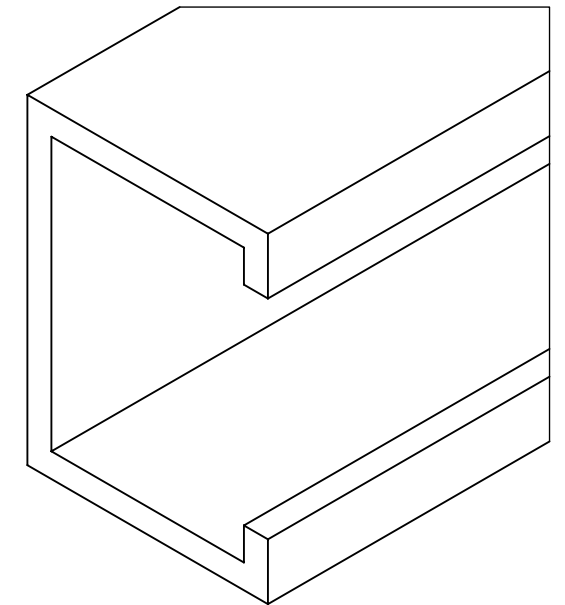


SECTION A-A
SCALE 1.5 : 1

GENERAL NOTE:
1- TOLERANCE FOR EXTRUSION;
X.X mm ... ±0.30 mm
X.XX mm... ±0.20 mm



VIEW
SCALE 1.5 : 1
Resistoflex

Email: sourcing@resistoflex.in

PROJECTION REPORT ALL ERRORS & CHANGES

REMOVE ALL BURRS AND SHARP EDGES

GENERAL TOLERANCES:

CASTING:.....±.76 mm MACHINING { .XX...±.13 mm
FABRICATION...±.51 mm .x.....±.38 mm
SURFACE TAXTURE...3.2 µm ANGULAR.....0°30'

Drwn: RK 16.03.2024 ALL DIMENSIONS ARE IN MM

Chkd: MJ

Appd: AJ SCALE: NTS

**NON CONTROLLED COPY
FOR REFERENCE ONLY**

MATERIAL: AL-6063-T6

STANDARD: EN 573-3 & EN 755-2

TITLE: END STOPPER EXTRUSION APPROX Wt.(Kg.)
--

DRG. NO.: RIC-R090-005-003 REV
00

REF:

STRICTLY CONFIDENTIAL- DO NOT COPY, DO NOT DISCLOSE TO THIRD PARTIES. This document contains industrial secrets. This drawing is the property of RESISTOFLEX, it must not be reproduced or communicated without authorization, and returned after use.

SHEET
1/1