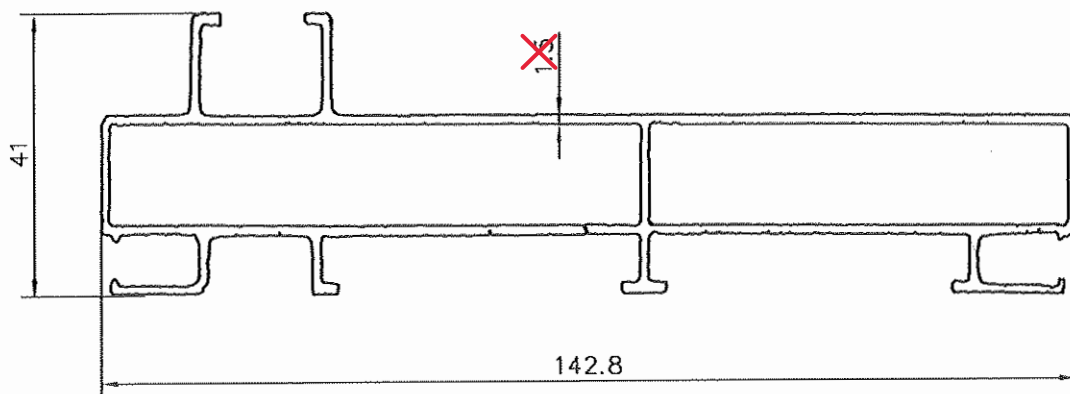


# Q01480 PROPOSAL DRAWING

THICKNESS WILL BE 1.8 MM



142.8 x 41 x 1.5

Q01480