

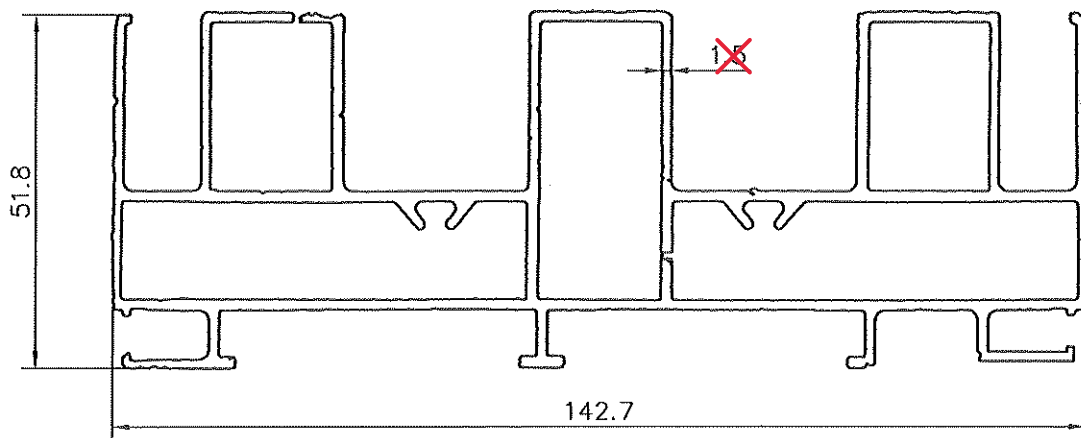


17x13x15

Q01489

Q01490-PPROPOSAL DRAWING

THICKNESS WILL BE 1.8mm



142.7 x 51.8 x 1.5

Q01490