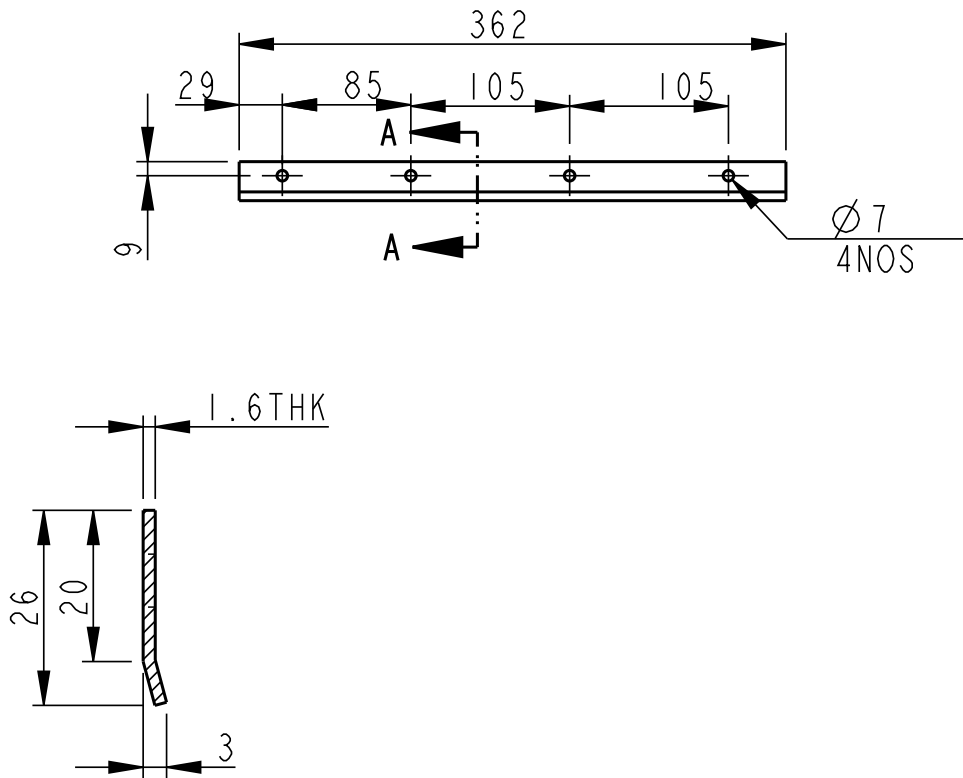






C.L.	E.C.O.	REVISION	CHKD.	DATE
△A	ECO-10-0697	NEW DRAWING RELEASE	UKS	
△B	ECO-13-0912	FORMAT AND PLM UPDATED	NPP	13.12.13
△C	ECO-15-1760	COLOUR NOTE ADDED & STDS UPDATED	NK	17/09/15



SECTION A-A
SCALE 1:1

NOTE:
1) POWDER COATING: BLACK

ALL DIMENSIONS ARE IN MM ⊕ - CRITICAL ● - MAJOR ◐ - MINOR	HEAT TREATMENT		MATERIAL AL (IS: 63400 W) IS: 733		 EIGHER VE COMMERCIAL VEHICLES LTD.
	EFFECTIVE CASE DEPTH		WT - Kg. 0.115		
TOLERANCES UNLESS SPECIFIED Pressing MS-81-2029, 2nd class	HARDNESS	SURF	SCALE 1:5	DESCRIPTION BOTTOM STRIP FRONT DOOR	
		CORE	DRN VP		
	FINISH	SURFACE ROUGHNESS 	CHD NPP APPD	PART No. / DRG. No. IU306527	
			RVN		
			SHT	No. 1 of 1	CL.  SIZE A4