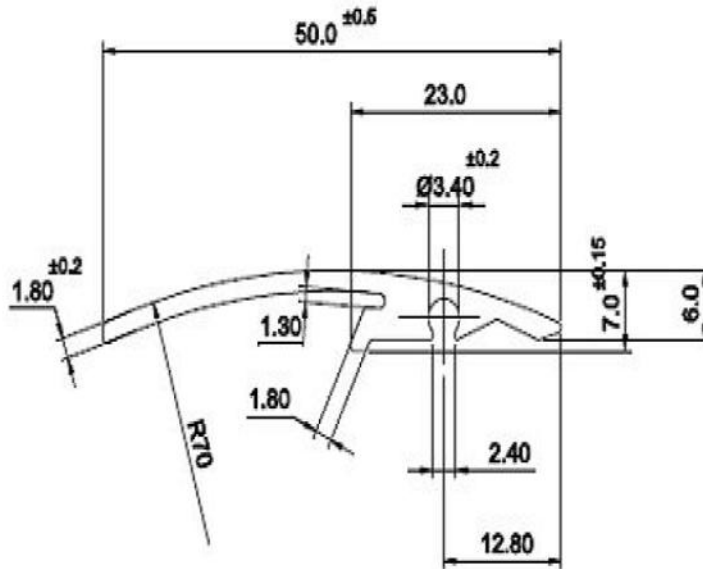





C.L.	E.C.O.	REVISION	CHKD.	DATE
△A	CA-19-00003057	NEW DRAWING RELEASE	GKD	03.06.19
△B	CA-19-00003710	NOTES UPDATED	GKD	01.07.19



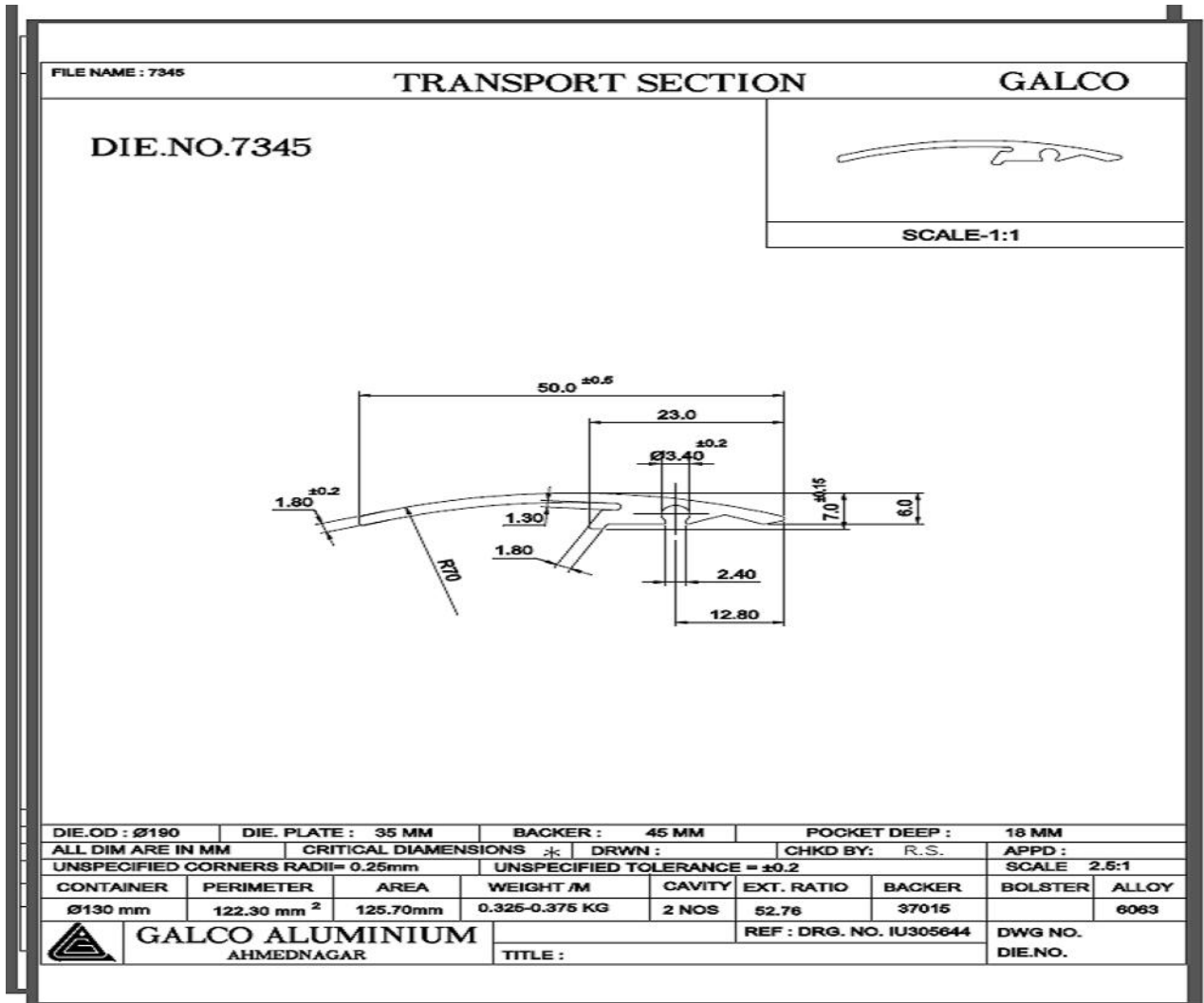
SL	PART NO	LENGTH(MM)
2	IU458663	1450
1	IU463178	3394

- NOTE: △B
- REFER WCQ-AL-001
  - PART DIE NO-7345, REFER SHEET2 FOR DIE DETAIL
  - PART SHOULD BE FREE FROM SHRP EDGES.
  - PART TO BE MADE AS PER 3D CAD DATA.
  - FLATNESS, STRAIGHTNESS & WAVINESS SHOULD BE WITHIN 1.5MM

ALL DIMENSIONS ARE IN MM ⊕ - CRITICAL ● - MAJOR ◐ - MINOR	HEAT TREATMENT		MATERIAL ALUMINIUM IS:733:1983		 <b>EIGHER</b> VE COMMERCIAL VEHICLES LTD.
	EFFECTIVE CASE DEPTH		WT-Kg. 1.085		
TOLERANCES UNLESS SPECIFIED  IS:3965:1981	HARDNESS	SURF	SCALE 1:1	DESCRIPTION  <b>AL EXTRUSION</b>	
		CORE	DRN KP		
REFER NOTE	FINISH	SURFACE ROUGHNESS	CHD GKD	PART No./DRG. No.  <b>IU463178</b>	
			APPD KD		
			SHT No. 1 of 2		 SIZE A4

P Release

C.L.L.	E.C.O.	REVISION	CHKD.	DATE
	CA-19-00003057	NEW DRAWING RELEASE	GKD	03.06.19
	CA-19-00003710	NOTES UPDATED	GKD	01.07.19



- NOTE:
- 1) REFER WCQ-AL-001
  - 2) PART DIE NO-7345, REFER SHEET2 FOR DIE DETAIL
  - 3) PART SHOULD BE FREE FROM SHRP EDGES.
  - 4) PART TO BE MADE AS PER 3D CAD DATA.
  - 5) FLATNESS, STRAIGHTNESS & WAVINESS SHOULD BE WITHIN 1.5MM

ALL DIMENSIONS ARE IN MM  - CRITICAL - MAJOR - MINOR	HEAT TREATMENT		MATERIAL ALUMINIUM IS:733:1983		<b>EICHER</b>  VE COMMERCIAL VEHICLES LTD.
	EFFECTIVE CASE DEPTH		WT-Kg. 1.085		
TOLERANCES UNLESS SPECIFIED  IS:3965:1981	HARDNESS	SURF	SCALE 1:1	DESCRIPTION  <b>AL EXTRUSION</b>	
		CORE	DRN KP		
REFER NOTE	FINISH	SURFACE ROUGHNESS	CHD GKD	PART No./DRG. No.  <b>IU463178</b>	
			APPD KD		
			SHT No. 2 of 2		SIZE A4