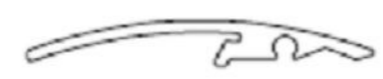


C.L.	E.C.O.	REVISION	CHKD.	DATE
△	CA-19-00007683	NEW DRAWING RELEASE	VP	01.11.19

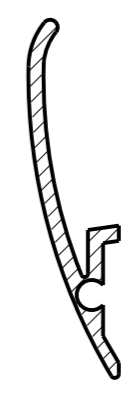
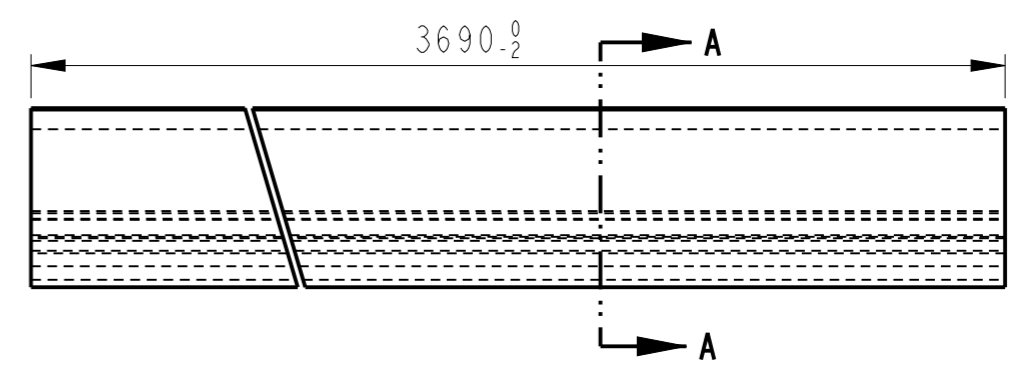
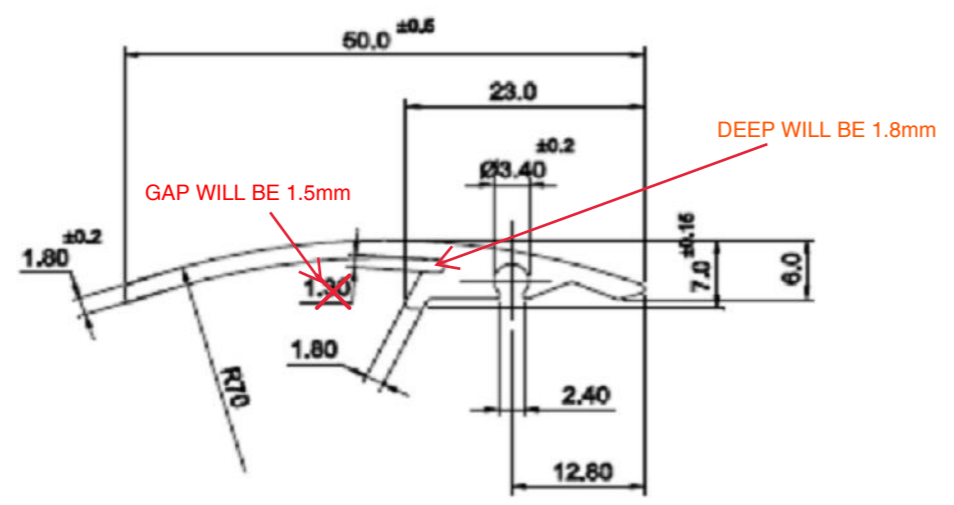
FILE NAME : 7345 **TRANSPORT SECTION** **GALCO**

DIE.NO.7345



SCALE-1:1

Q01517- PROPOSAL DRAWING



SECTION A-A
SCALE 1:1

DIE.OD : Ø190	DIE. PLATE : 35 MM	BACKER : 45 MM	POCKET DEEP : 18 MM
ALL DIM ARE IN MM	CRITICAL DIMENSIONS *	DRWN :	CHKD BY: R.S.
UNSPECIFIED CORNERS RADII= 0.25mm	UNSPECIFIED TOLERANCE = ±0.2	SCALE 2.5:1	APPD :
CONTAINER	PERIMETER	AREA	WEIGHT /M
Ø130 mm	122.30 mm ²	125.70mm	0.325-0.375 KG
	CAVITY	EXT. RATIO	BACKER
	2 NOS	52.78	37015
		BOLSTER	ALLOY
			6063
	GALCO ALUMINIUM AHMEDNAGAR	REF : DRG. NO. IU305644	DWG NO. DIE.NO.
	TITLE :		

ALL DIMENSIONS ARE IN MM ⊕ - CRITICAL ● - MAJOR ○ - MINOR	HEAT TREATMENT		MATERIAL	EIGHER VE COMMERCIAL VEHICLES LTD.
	EFFECTIVE CASE DEPTH		AL H2/31000 ALLOY	
TOLERANCES UNLESS SPECIFIED ISO 2768 - f/m/c/v	HARDNESS	SURF	WT-Kg.	DESCRIPTION EXTRUSION 4 PART No./DRG. No. IU476686
		CORE	1.179	
	FINISH	SURFACE ROUGHNESS	SCALE 1:2	
			DRN KP	SHT. No. 1 of 1 CL. △ SIZE A3
			CHD VP APPD SSJ	