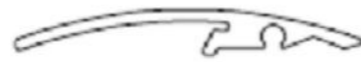


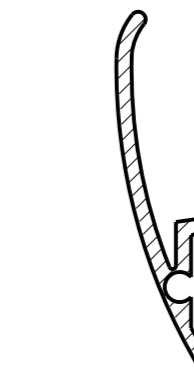
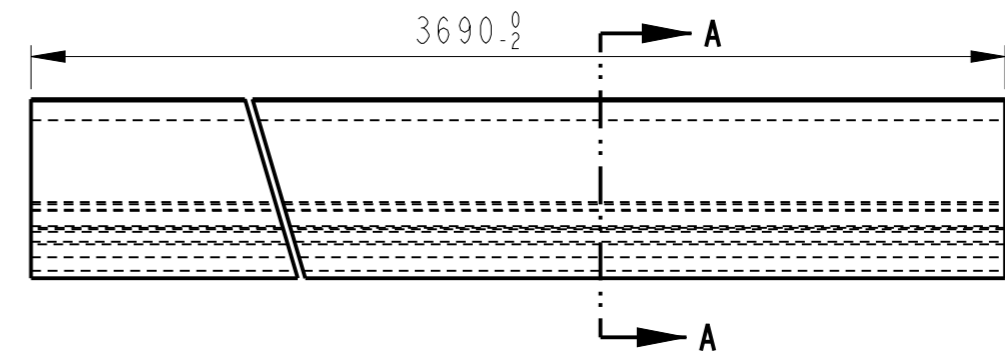
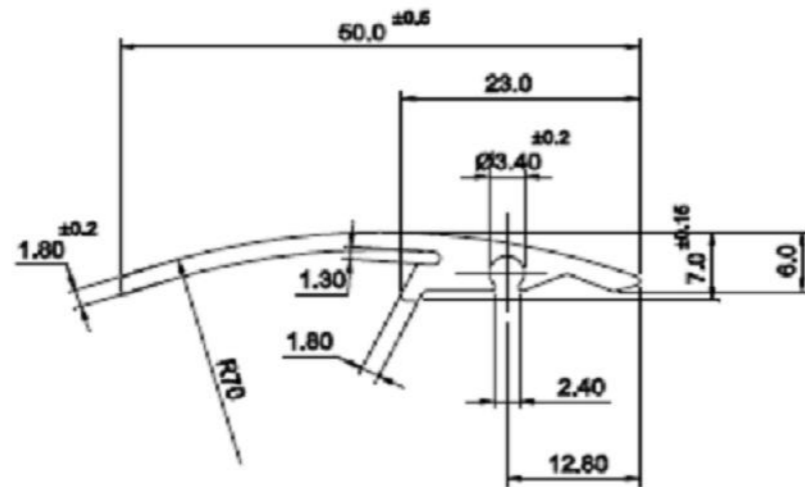
C.L.	E.C.O.	REVISION	CHKD.	DATE
△	CA-19-00007683	NEW DRAWING RELEASE	VP	01.11.19

FILE NAME : 7345 **TRANSPORT SECTION** **GALCO**

DIE.NO.7345



SCALE-1:1



SECTION A-A  
SCALE 1:1

DIE.OD : Ø190		DIE. PLATE : 35 MM		BACKER : 45 MM		POCKET DEEP : 18 MM		
ALL DIM ARE IN MM		CRITICAL DIMENSIONS *		DRWN :		CHKD BY: R.S.		APPD :
UNSPECIFIED CORNERS RADII= 0.25mm		UNSPECIFIED TOLERANCE = ±0.2		SCALE 2.5:1				
CONTAINER	PERIMETER	AREA	WEIGHT /M	CAVITY	EXT. RATIO	BACKER	BOLSTER	ALLOY
Ø130 mm	122.30 mm <sup>2</sup>	125.70mm	0.325-0.375 KG	2 NOS	52.78	37015		6063
<b>GALCO ALUMINIUM</b> AHMEDNAGAR		TITLE :		REF : DRG. NO. IU305644		DWG NO. DIE.NO.		

ALL DIMENSIONS ARE IN MM ⊕ - CRITICAL ● - MAJOR ○ - MINOR	HEAT TREATMENT		MATERIAL		<b>EICHER</b> VE COMMERCIAL VEHICLES LTD.
	EFFECTIVE CASE DEPTH		AL H2/31000 ALLOY		
TOLERANCES UNLESS SPECIFIED  ISO 2768 - f/m/c/v	HARDNESS	SURF	WT-Kg.	1.179	DESCRIPTION <b>EXTRUSION 4</b>  PART No./DRG. No. <b>IU476686</b>
		CORE	SCALE	1:2	
	FINISH	SURFACE ROUGHNESS	CHD	VP	
			SSJ		SHT. No. 1 of 1   CL. △   SIZE A3