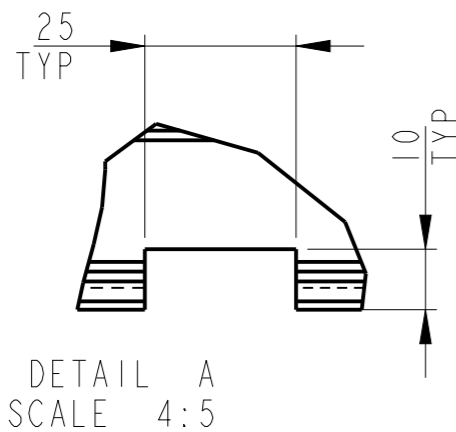
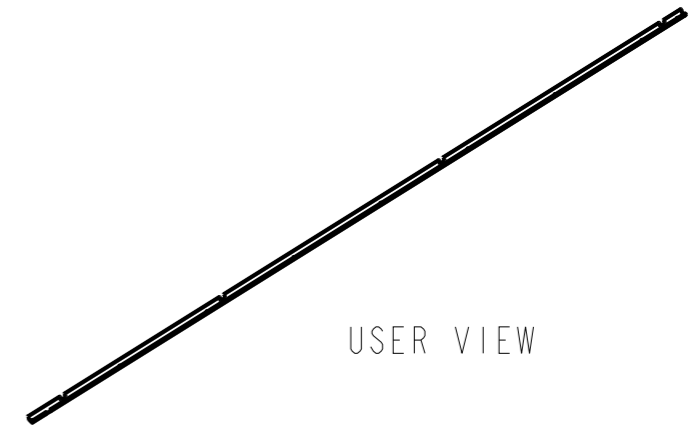
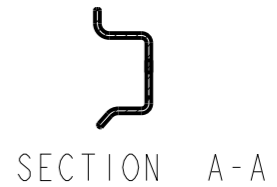
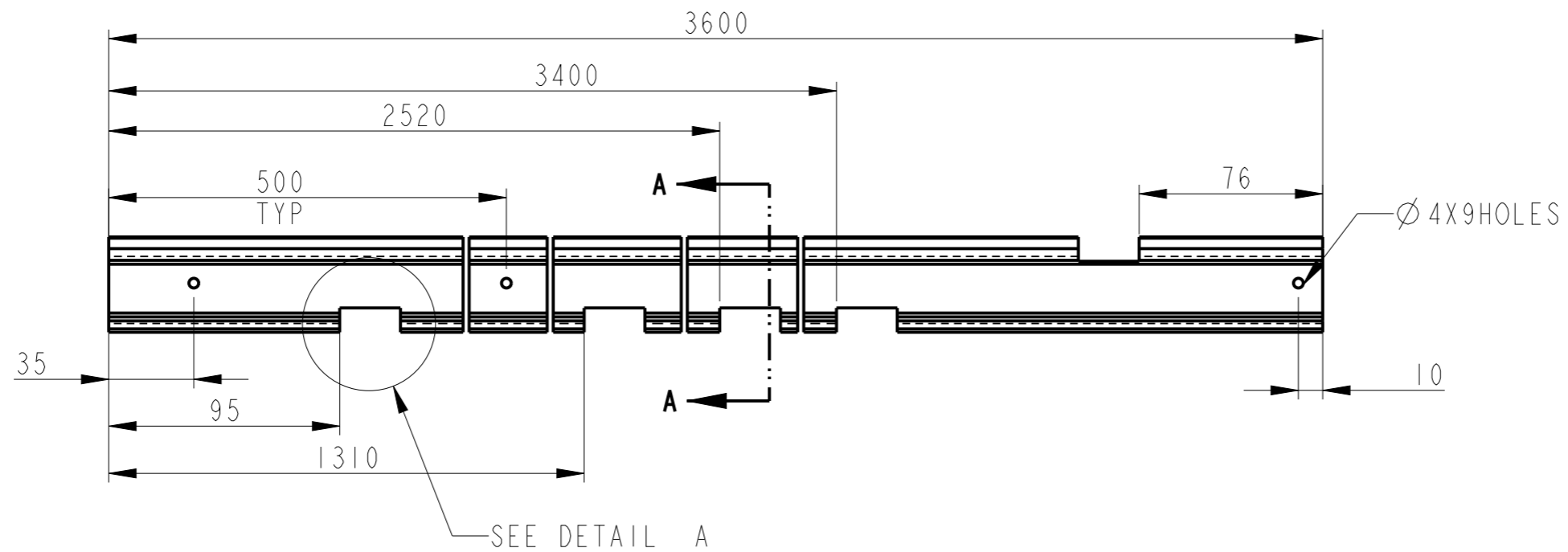


C.L.L.	E.C.O.	REVISION	CHKD.	DATE
△	CA-19-00007886	NEW DRAWING RELEASE	VP	12-11-19



- NOTE-
1. STANDARD NO- WCQ-AL-001
  2. DIE NO. : EI86.
  3. APPLICABILITY AS PER AIS-052
  4. PARTS TO BE SILVER ANODIZED.
  5. COATING THICKNESS -18 MICRON
  6. PART TO BE MADE AS PER 3D CAD DATA.

PRODUCED BY AN AUTODESK EDUCATIONAL PRODUCT

DIE NO -  SHOW BEADING EI 86

Ref No - EI 86  
DIE NO -

NOTE:

Mark exposed surface: -----  
APPROVED WITH STAMP AND SIGN. BY PARTY  
Party - Ekher

GENERAL WALL THICK.:  
S = 0.2 mm MINIMUM  
R = 0.2 mm MINIMUM  
F = FULL RADIUS  
UNSPECIFIED CORNER RADIUS = 0.2 mm  
Fluent Part no: Party disp. no.: IU420769

Scruffiness = 1.70 mm/MTR.LENGTH  
Flatness = ±0.3 Concave or convex  
Angularity = ± 1.5°  
Tolerant = 1.70 mm/MTR.LENGTH

Drawn by : S.P. 28.02.18 Area : 102.297 Sq.mm  
Checked by : C.G. - Perimeter : 130.385 mm  
Approved by : S.S. - Wt. Range : 0.245-0.311 Kg/mtr  
Scale : 1:1 Date Sign. Alloy : 63400

Critical dimensions : \*

Title - VLTS HARNESS ROUTING HAT SECTION 10

JM INDUSTRIES PVT. LTD. Plot No. 1, 195, MIDC, Ahmednagar 414 111, (MS) India. Tel - 91-241 277739,2419891  
Autodesk Educational Materials (C) Autodesk, Inc. 2018. All rights reserved. www.autodesk.com

PRODUCED BY AN AUTODESK EDUCATIONAL PRODUCT

ALL DIMENSIONS ARE IN MM ⊕ - CRITICAL ● - MAJOR ○ - MINOR	HEAT TREATMENT		MATERIAL AL IS:737:1986	 VE COMMERCIAL VEHICLES LTD.
	EFFECTIVE CASE DEPTH		WT-Kg. 1.004	
TOLERANCES UNLESS SPECIFIED	HARDNESS	SURF	SCALE 1:1	DESCRIPTION <b>AL EXTRUSION</b>
		CORE	DRN KP	
	FINISH	SURFACE ROUGHNESS	CHD VP	PART No./DRG. No. <b>IU477381</b>
			APPD SSJ	SHT. No. 1 of 1
			CL. △	SIZE A3