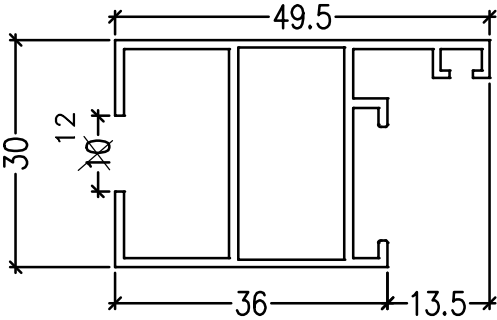


ALAMDAR PVT. LTD.

PROPOSED DRAWING

Q01532 ALLOY 6063 T6



**CS4
Shutter**

KG./M. 0.556