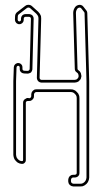
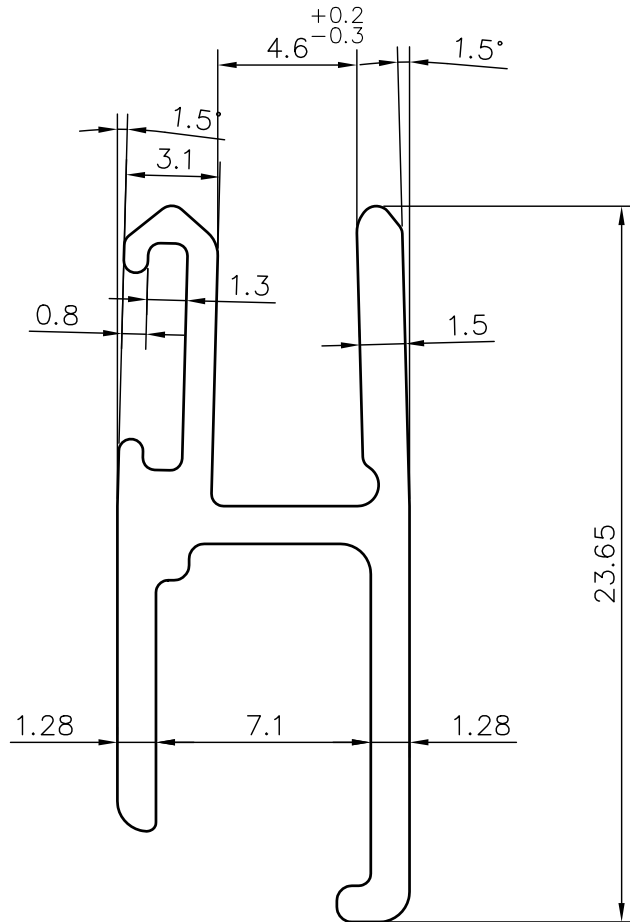


Q01544
PROPOSAL DRAWING



SCALE 1:1



SCALE 4:1