

REMOVE ALL SHARP CORNERS/EDGES

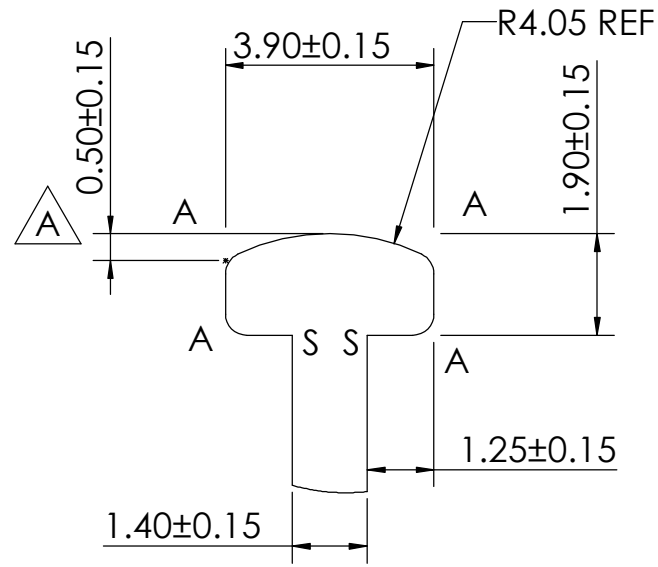
CAD DRAWING DO NOT MODIFY

DO NOT SCALE DRAWING

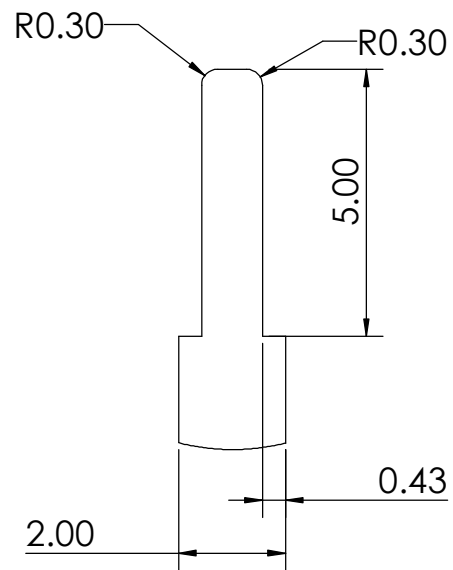
UNCONTROLLED COPY
NOT FOR PRODUCTION
UNLESS OVERSTAMPED
"CONTROLLED"
IN RED INK

BY	DATE	ALTERATIONS	ISSUE
CVA	13/09/2016	TOLERANCES ON DETAIL B (TYP 2 PLS) WERE INCORRECTLY ROUNDED UP TO ONE DECIMAL PLACE +/-0.1 NOW +/-0.15 4 PLS. DIM 1.25+/-0.15 WAS 1.3+/-0.1. DM16-143	B
CVA	13/07/2016	PRODUCTION RELEASE PROFILE CHANGE TO DETAIL B TYPICAL 2 PLACES DIM 0.5+/-0.15 ADDED AND R4.05 REF. CSA NOW 261.87 WAS 263.04. PR16-036	A
CVA	25/02/2016	INITIAL RELEASE, SEE DM16-035	1

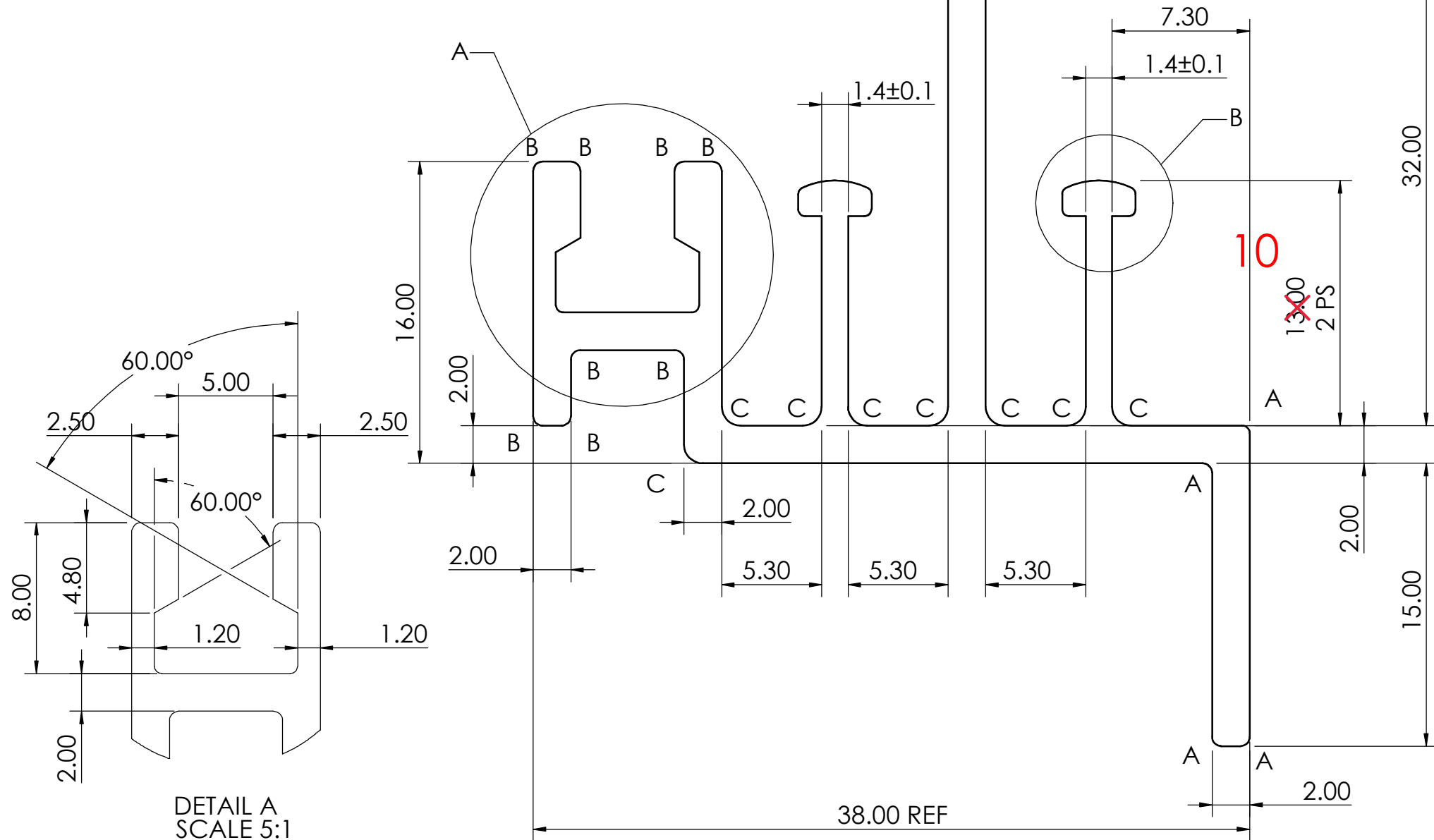
Q01547-PROPOSED DRAWING



DETAIL B
TYPICAL 2 PLACES
SCALE 10:1



DETAIL C
SCALE 10:1



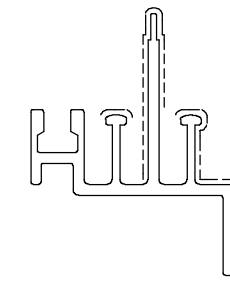
COMPONENT INFORMATION

1. AREA - 261.87 mm²
2. MATERIAL - ALUMINIUM ALLOY
BS EN755 6063T4
WEBSTER HARDNESS 4-6
3. ESTIMATED WEIGHT - 0.70966 KG/M

A - DENOTES 0.4 RAD
 B - DENOTES 0.5 RAD
 C - DENOTES 1.0 RAD
 S - DENOTES SHARP CORNER

———— DENOTES VISIBLE SURFACE
 - - - - - DENOTES HIDDEN SURFACE

DESIGNER	CVA 25/02/2016
TOLERANCES UNLESS OTHERWISE SPECIFIED	
X	±
X.X	±
X.XX	±
HOLE CRS	±
ANGULAR	± 0.5°
MATERIAL	EN755-9
FINISH	SEE NOTES
WEIGHT	7.07
CE No.	CE15-144
Widney	
TITLE	CROSSRAIL SECTION



SCALE 1:1