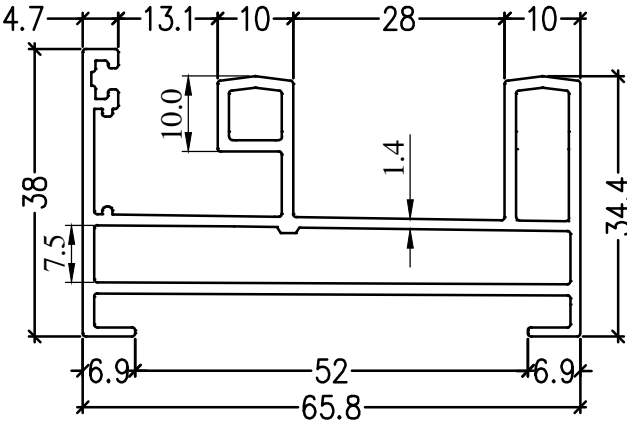


PROPOSED DRAWING

Q01548

ALLOY 6063 T6



SF1

SLIDING FRAME (VERTICAL & TOP)