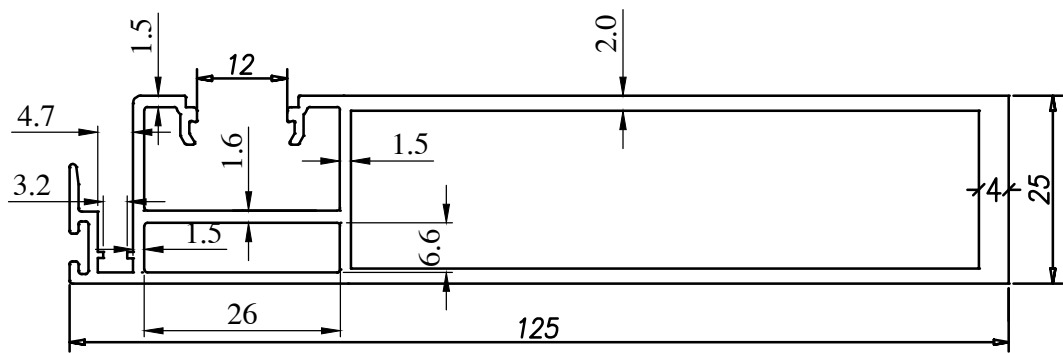


PROPOSED DRAWING

Q01551 ALLOY 6063 T6



IL2  
SLIDING INTERLOCK SHUTTER