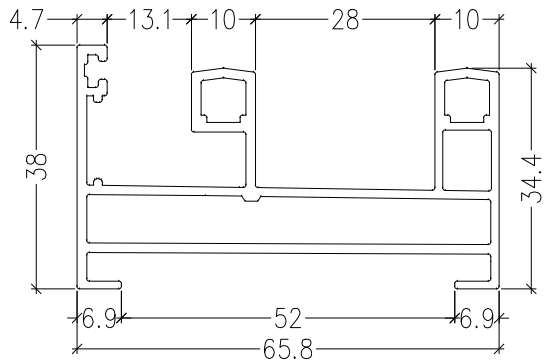
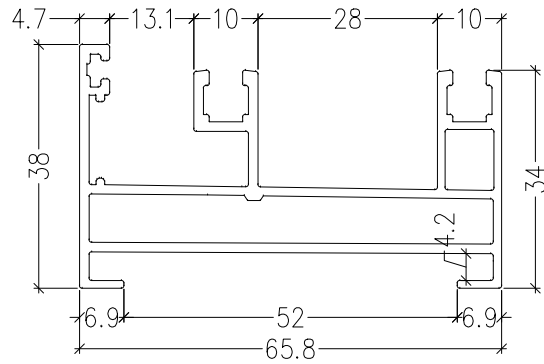


Q01548



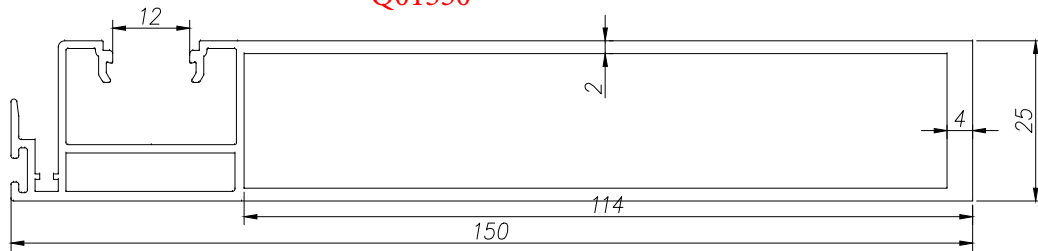
SF1  
SLIDING FRAME(VERTICAL&TOP) KG./M. 1.141

Q01549



SF2  
SLIDING FRAME KG./M. 1.107

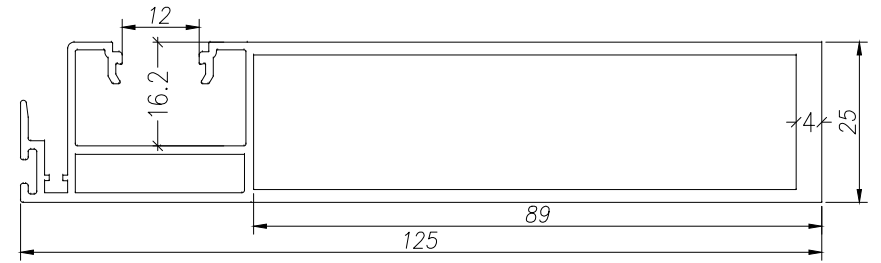
Q01550



IL3  
SLIDING INTERLOCK SHUTTER

KG./M. 2.005

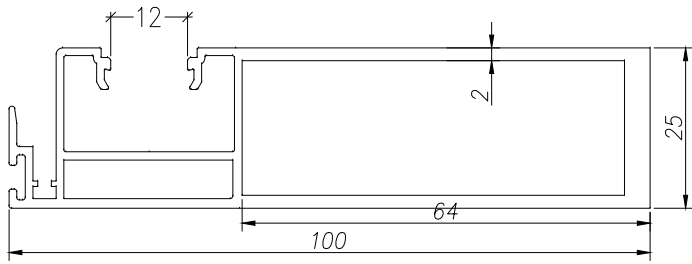
Q01551



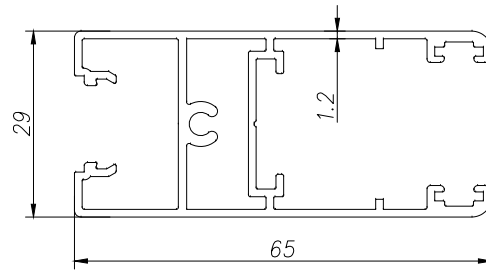
IL2  
SLIDING INTERLOCK SHUTTER

KG./M. 1.732

Q01552



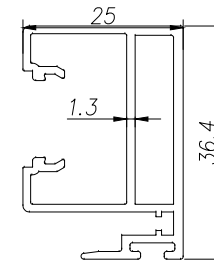
IL1  
SLIDING INTERLOCK SHUTTER KG./M. 1.462



SH  
SLIDING HANDRAIL SHUTTER KG./M. 0.870

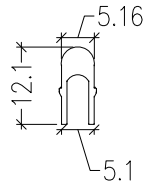
Q01554

Q01555



IL  
SLIDING INTERLOCK SHUTTER KG./M. 0.575

\*\*kindly check track as/ Sliding Roller



RL  
TRACK KG./M 0.092