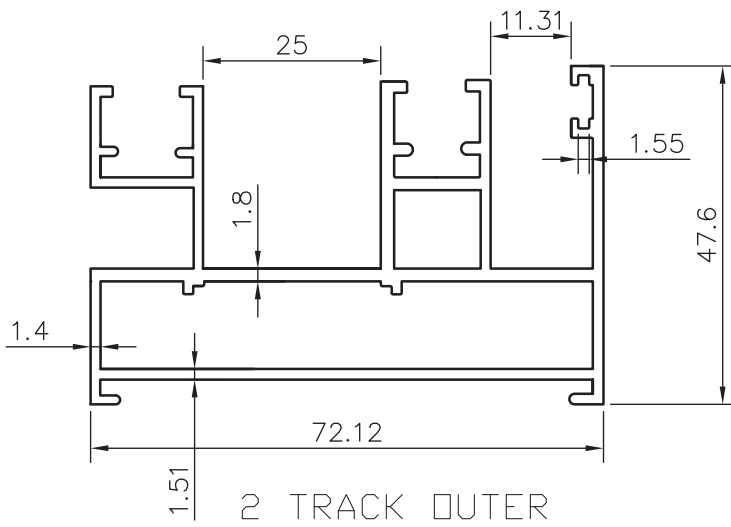


Q01694

PROPOSAL
DRAWING
ATTACHED.



Q01695