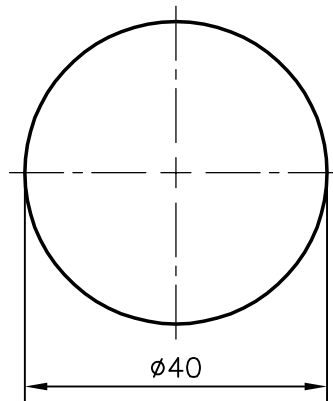


1418

11018



JINDAL ALUMINIUM LTD.

BANGALORE-560073

		NAME	DATE
		DRAWN	R.D.Sharma 16-10-97
1. ALL DIMENSIONS ARE IN mm.		CHECKED	
2. ROUND OFF ALL SHARP CORNERS WITH 0.4 mm.		APPROVED	
3. TOLERANCES WILL BE AS PER IS: 3965-1981 ,UNLESS OTHERWISE SPECIFIED		SCALE	1:1
PARTY'S NAME	—	WEIGHT kg/m	3.393
PARTY'S DRAWING No.	—	SECTION No.	11018
ALLOY & TEMPER	HE9 WP	DRAWING No.	11018
LENGTH	3658 mm.		
DESCRIPTION	ROUND ROD		