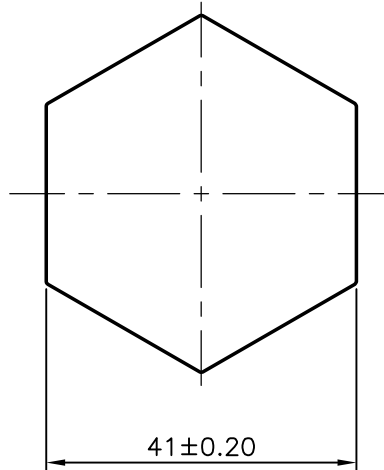


P-5815

S1569

11880



SYMBOL OF QUALITY
AN ISO 9001 COMPANY

JINDAL ALUMINIUM LTD.
BANGALORE-560073 (INDIA)

	NAME	DATE
DRAWN	MALINGAPPA	18-08-2005
CHECKED		
APPROVED		

1. ALL DIMENSIONS ARE IN mm.
2. ROUND OFF ALL SHARP CORNERS WITH 0.40 mm.
3. TOLERANCES WILL BE AS PER IS:3965-1981 UNLESS OTHERWISE SPECIFIED

SCALE	1:1
AREA mm ²	1455.737
PERIMETER mm.	141.77
WEIGHT kg/m	3.930

PARTY'S NAME	BRITISH ENGINES INDIA PVT. LTD., BANGALORE	DRAWING No.	P-5815	SECTION No.	-
PARTY'S DRAWING No.	AS PER SPECIFICATION		S1569		S1569
ALLOY & TEMPER	6262 T6		11880		11880
DESCRIPTION	HEXAGONAL BAR				