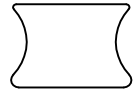


P-0665

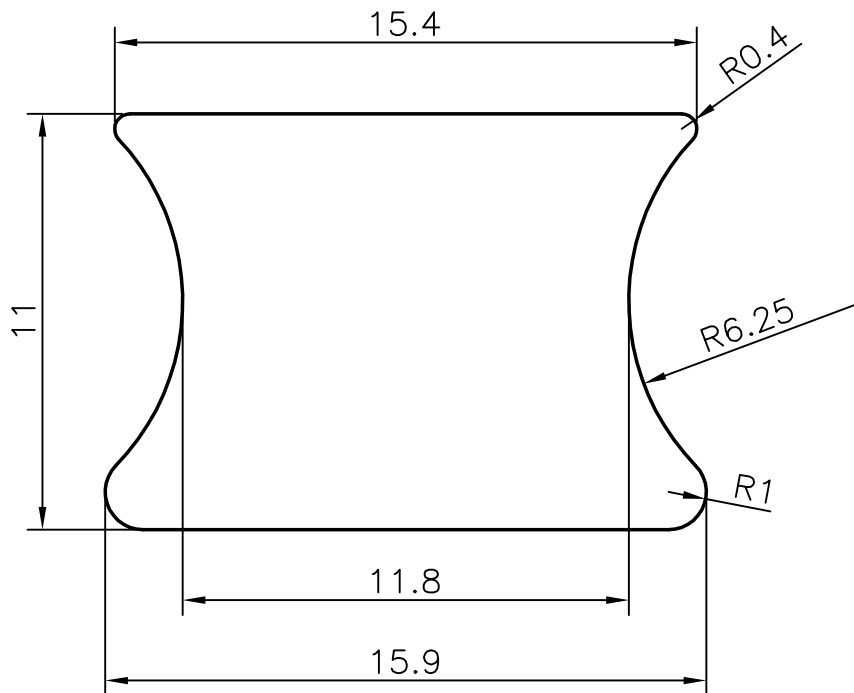
N-505

1852

12009



1:1



SYMBOL OF QUALITY  
AN ISO 9002 COMPANY

**JINDAL ALUMINIUM LTD.**  
BANGALORE-560073 (INDIA)

	NAME	DATE
DRAWN	R.D.Sharma	11-11-02
CHECKED		
APPROVED		

1. ALL DIMENSIONS ARE IN mm.
2. ROUND OFF ALL SHARP CORNERS WITH 0.40 mm.
3. TOLERANCES WILL BE AS PER IS 3965-1981 UNLESS OTHERWISE SPECIFIED

SCALE	5:1
AREA mm <sup>2</sup>	147.9
PERIMETER	54.1

PARTY'S NAME	BAGGA BROTHERS, DELHI
PARTY'S DRAWING No.	NIL
ALLOY & TEMPER	HE9 WP
DESCRIPTION	MISCELLANEOUS BAR

WEIGHT kg/m	0.399
SECTION No.	12009
DRAWING No.	12009