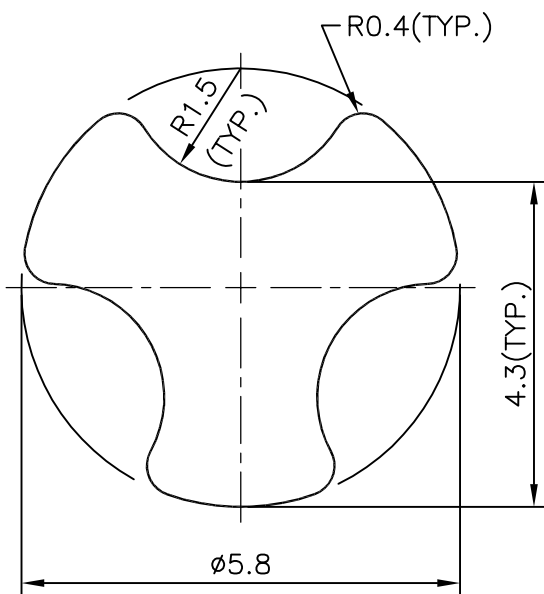


1880  
12024



1:1



**JINDAL ALUMINIUM LTD.**  
**BANGALORE-560073**

		NAME	DATE
		DRAWN	R.D.Sharma
1. ALL DIMENSIONS ARE IN mm. 2. ROUND OFF ALL SHARP CORNERS WITH 0.4 mm. 3. TOLERANCES WILL BE AS PER IS: 3965-1981 ,UNLESS OTHERWISE SPECIFIED		CHECKED	
		APPROVED	
PARTY'S NAME	ALPS INDUSTRIES LTD., GHAZIABAD	SCALE	10:1
PARTY'S DRAWING No.	VT-008	WEIGHT kg/m	0.045
ALLOY & TEMPER	HE9 WP	SECTION No.	12024
LENGTH	3658 mm.	DRAWING No.	
DESCRIPTION	TILTING ROD VERTICAL	12024	