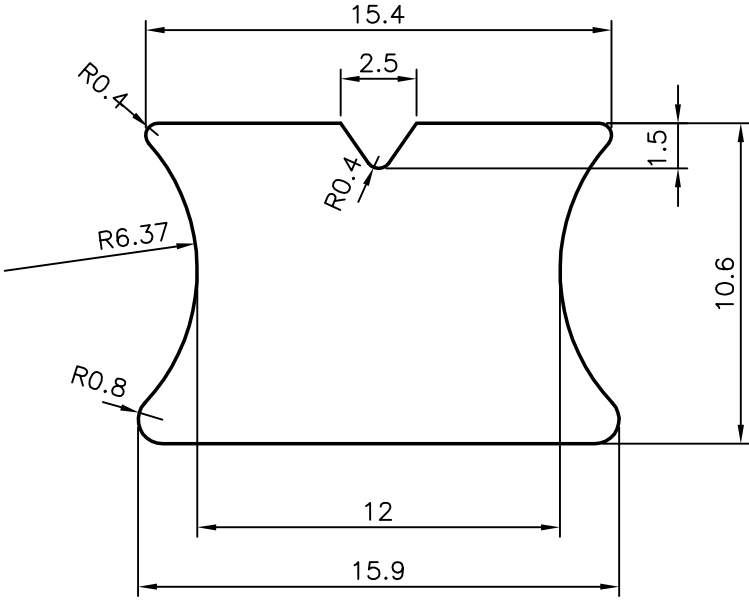
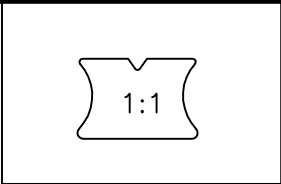


P-5598-1
12093



JINDAL ALUMINIUM LTD.
BANGALORE-560073 (INDIA)

	NAME	DATE
DRAWN	MALINGAPPA	07-07-2005
CHECKED		
APPROVED		

1. ALL DIMENSIONS ARE IN mm.
2. ROUND OFF ALL SHARP CORNERS WITH 0.40 mm.
3. TOLERANCES WILL BE AS PER IS:3965-1981 UNLESS OTHERWISE SPECIFIED

SCALE	4:1
AREA mm ²	141.088
PERIMETER mm.	54.811
WEIGHT kg/m	0.381

PARTY'S NAME	GENERAL CATEGORY, MUMBAI MARKET
PARTY'S DRAWING No.	AS PER REQUIREMENT & SAMPLE
ALLOY & TEMPER	HE9 WP
DESCRIPTION	MISCELLANEOUS BAR

DRAWING No.	
P-5598-1	-
12093	12093