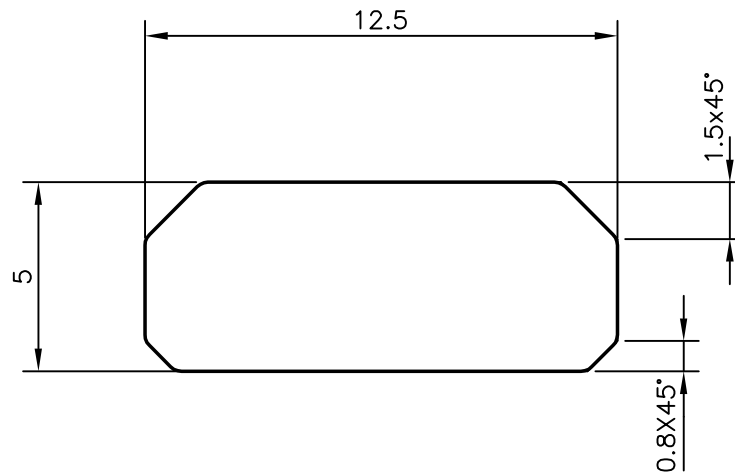
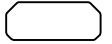



P-9226-1

12181



 SYMBOL OF QUALITY AN ISO 9001 COMPANY	JINDAL ALUMINIUM LTD. BANGALORE-560073 (INDIA)	NAME		DATE
		DRAWN	J.P.KAUSHIK	01-06-2009
1. ALL DIMENSIONS ARE IN mm. 2. ROUND OFF ALL SHARP CORNERS WITH 0.40 mm. 3. TOLERANCES WILL BE AS PER IS:3965-1981 UNLESS OTHERWISE SPECIFIED		CHECKED		
		APPROVED		
PARTY'S NAME GENERAL CATEGORY, DELHI MARKET		SCALE		5:1
		AREA mm ²		59.582
PARTY'S DRAWING No. AS PER SKETCH		PERIMETER mm.		32.168
		WEIGHT kg/m		0.161
ALLOY & TEMPER HE9 WP		DRAWING No.		SECTION No.
		P-9226-1		-
DESCRIPTION MISC. BAR		12181		12181