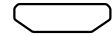
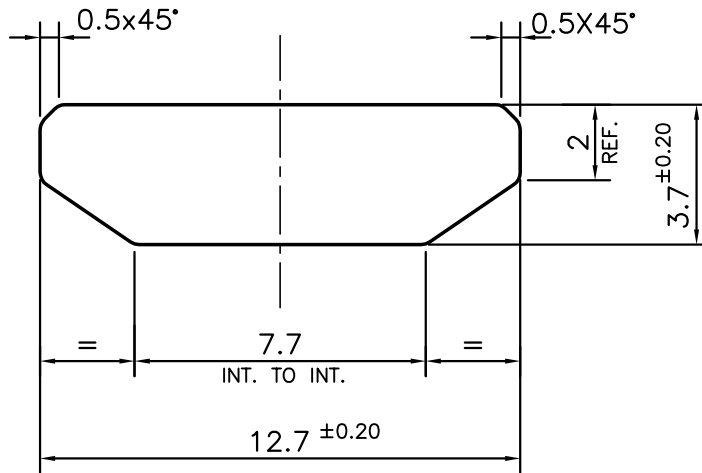


P-12183-1

12223



SCALE:- 1:1



SYMBOL OF QUALITY  
AN ISO 9001 COMPANY

**JINDAL ALUMINIUM LTD.**  
BANGALORE-560073 (INDIA)

	NAME	DATE
DRAWN	PARVESH	02-11-2012
CHECKED		
APPROVED	S.S.GARG	27-11-2012

1. ALL DIMENSIONS ARE IN mm.
2. ROUND OFF ALL SHARP CORNERS WITH 0.40 mm.
3. TOLERANCES WILL BE AS PER IS:3965-1981, UNLESS OTHERWISE SPECIFIED

SCALE	5:1
AREA mm <sup>2</sup>	42.46
PERIMETER mm.	29.709
WEIGHT kg/m	0.115

PARTY'S NAME	GENERAL CATEGORY, DELHI MARKET	DRAWING No.	SECTION No.
PARTY'S DRAWING No.	AS PER DRAWING	P-12183-1	-
ALLOY & TEMPER	6063 T5	12223	12223
DESCRIPTION	MISC. BAR		