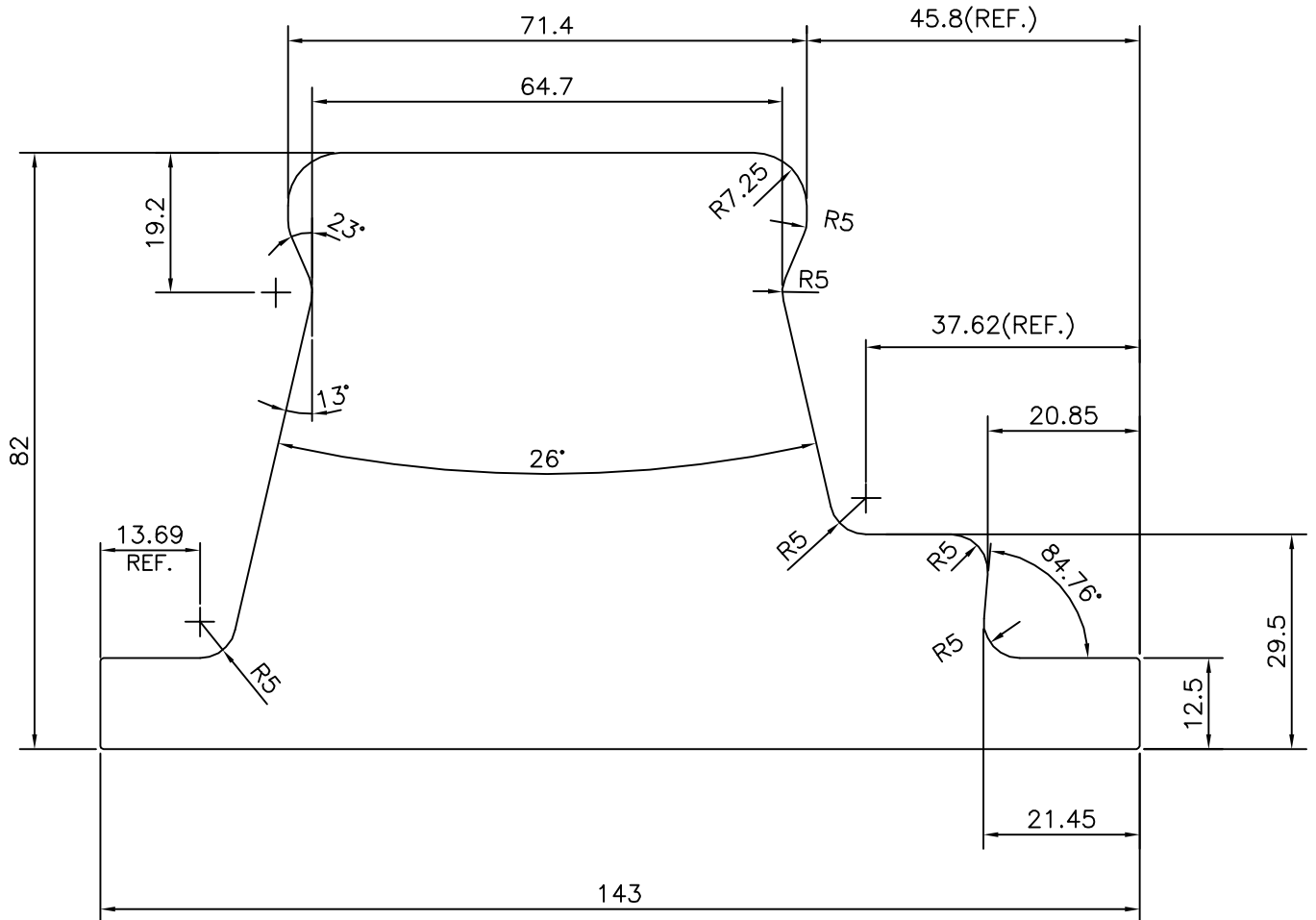


P-14073

12256



ISSUE-2 :-

SHAPE CHANGED

WEIGHT ALSO CHANGED FROM 19.111 TO 19.570 kg/M



SYMBOL OF QUALITY  
AN ISO 9001 COMPANY

**JINDAL ALUMINIUM LTD.**  
BANGALORE-560073 (INDIA)

	NAME	DATE
DRAWN	J.P.KAUSHIK	14-01-2015
CHECKED		
APPROVED	S.S.GARG	16-01-2015
SCALE		1:1
AREA mm <sup>2</sup>		7248.179
PERIMETER mm.		428.03
WEIGHT kg/m		19.570
DRAWING No.	SECTION No.	
P-14073	-	
12256	12256(ISSUE-2)	

1. ALL DIMENSIONS ARE IN mm.
2. ROUND OFF ALL SHARP CORNERS WITH 0.40 mm.
3. TOLERANCES WILL BE AS PER IS:3965-1981, UNLESS OTHERWISE SPECIFIED

PARTY'S NAME GENERAL CATEGORY, MUMBAI MARKET

PARTY'S DRAWING No. AS PER DRAWING

ALLOY & TEMPER 6351 T6

DESCRIPTION MISC. SECTION