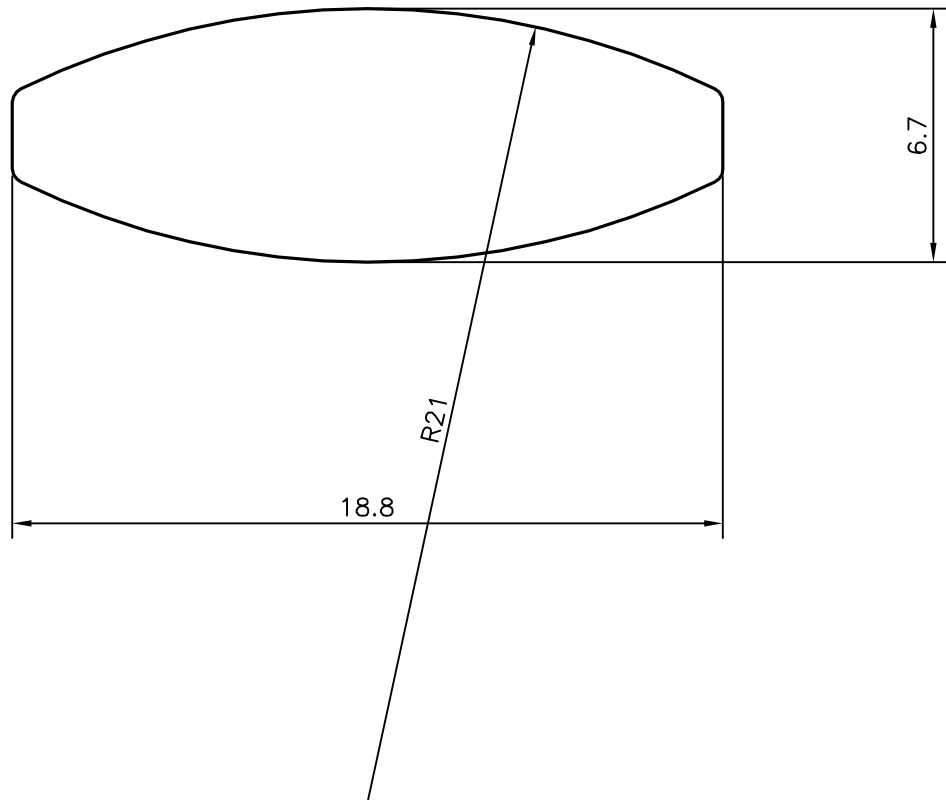


P-14787-1

12277



1:1



SYMBOL OF QUALITY  
AN ISO 9001 COMPANY

**JINDAL ALUMINIUM LTD.**  
BANGALORE-560073 (INDIA)

	NAME	DATE
DRAWN	J.P.KAUSHIK	24-06-2015
CHECKED		
APPROVED	S.S.GARG	07-07-2015
SCALE		5:1
AREA mm <sup>2</sup>		98.695
PERIMETER mm.		43.29
WEIGHT kg/m		0.266

1. ALL DIMENSIONS ARE IN mm.
2. ROUND OFF ALL SHARP CORNERS WITH 0.40 mm.
3. TOLERANCES WILL BE AS PER IS:3965-1981 UNLESS OTHERWISE SPECIFIED

PARTY'S NAME GENERAL CATEGORY, KOLKATA MARKET

PARTY'S DRAWING No. AS PER SAMPLE

ALLOY & TEMPER HE9 WP

DESCRIPTION MISC. BAR

DRAWING No.	SECTION No.
P-14787-1	
12277	12277