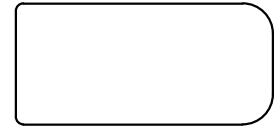
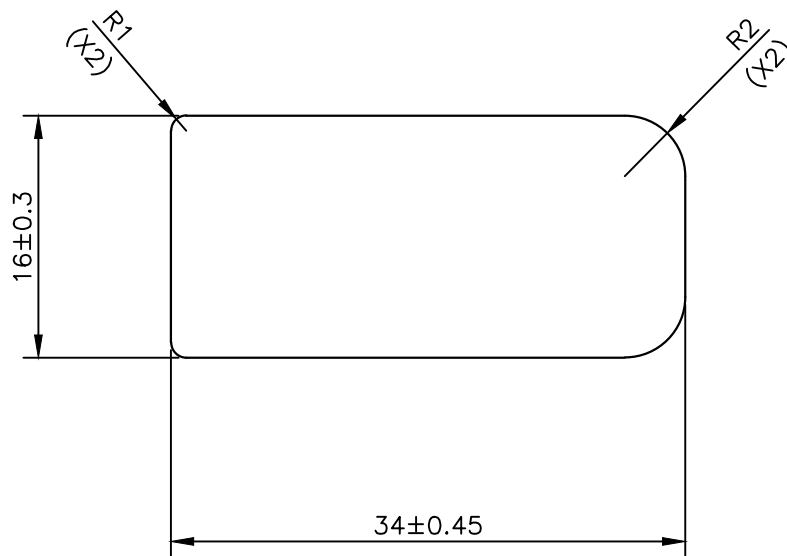


IAL-A-955

12405



SCALE:1:1



SYMBOL OF QUALITY
AN ISO 9001 COMPANY

JINDAL ALUMINIUM LTD.
BANGALORE-560073 (INDIA)

	NAME	DATE
DRAWN	S.K.SHARMA	26-02-2022
CHECKED		
APPROVED		

1. ALL DIMENSIONS ARE IN mm.
2. ROUND OFF ALL SHARP CORNERS WITH 0.40 mm.
3. TOLERANCES WILL BE AS PER BS:EN-755-9 , UNLESS OTHERWISE SPECIFIED

SCALE 1:1&2:1

AREA mm² 538.0

PERIMETER mm. 95.7

WEIGHT kg/m 1.452

DRAWING No. SECTION No.

PARTY'S NAME M/S. PRANAV VIKAS (I) PVT.LTD.

PARTY'S DRAWING No. AS PER DRAWING

IAL-A-955

-

ALLOY & TEMPER HE30-T6

12405

12405

DESCRIPTION MISC. BAR