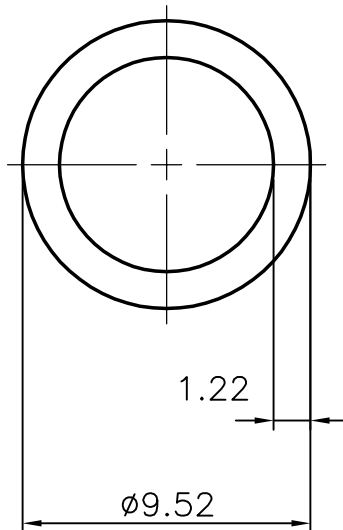



2001
13001



1:1



 SYMBOL OF QUALITY AN ISO 9001 COMPANY	<b>JINDAL ALUMINIUM LTD.</b> <i>BANGALORE-560073 (INDIA)</i>	NAME		DATE
		DRAWN	j.p.kaushik	05.10.2005
1. ALL DIMENSIONS ARE IN mm. 2. ROUND OFF ALL SHARP CORNERS WITH 0.40 mm. 3. TOLERANCES WILL BE AS PER IS: 2673-2002 UNLESS OTHERWISE SPECIFIED		CHECKED		
		APPROVED		
PARTY'S NAME —		SCALE		4:1
		AREA mm <sup>2</sup>		31.812
PARTY'S DRAWING No. —		PERIMETER mm.		29.908
		WEIGHT kg/m		0.086
ALLOY & TEMPER HE9 WP		DRAWING No.	SECTION No.	
		2001	—	
DESCRIPTION ROUND TUBE		13001	13001	