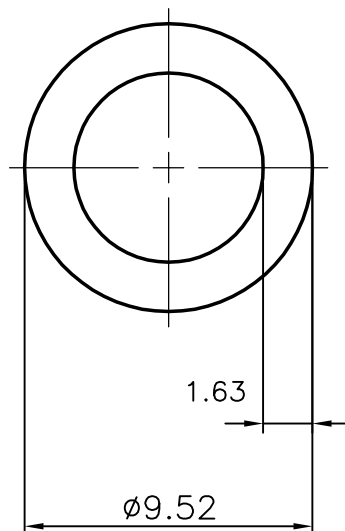



2002

13002



1:1



 SYMBOL OF QUALITY AN ISO 9001 COMPANY	<b>JINDAL ALUMINIUM LTD.</b> <i>BANGALORE-560073 (INDIA)</i>	NAME	DATE
		DRAWN	j.p.kaushik
1. ALL DIMENSIONS ARE IN mm. 2. ROUND OFF ALL SHARP CORNERS WITH 0.40 mm. 3. TOLERANCES WILL BE AS PER IS: 2673-2002 UNLESS OTHERWISE SPECIFIED		CHECKED	
		APPROVED	
PARTY'S NAME		SCALE	
		4:1	
PARTY'S DRAWING No.		AREA mm <sup>2</sup>	
		40.403	
ALLOY & TEMPER		PERIMETER mm.	
		29.908	
DESCRIPTION		WEIGHT kg/m	
		0.109	
		DRAWING No.	SECTION No.
		2002	—
		13002	13002