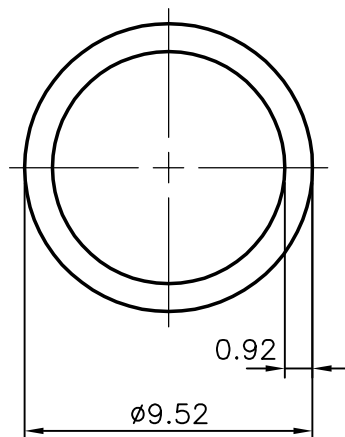


2002

13003



1:1



SYMBOL OF QUALITY  
AN ISO 9001 COMPANY

**JINDAL ALUMINIUM LTD.**  
*BANGALORE-560073 (INDIA)*

	NAME	DATE
DRAWN	j.p.kaushik	05.10.2005
CHECKED		
APPROVED		

1. ALL DIMENSIONS ARE IN mm.
2. ROUND OFF ALL SHARP CORNERS WITH 0.40 mm.
3. TOLERANCES WILL BE AS PER IS: 2673-2002 UNLESS OTHERWISE SPECIFIED

SCALE	4:1
AREA mm <sup>2</sup>	24.856
PERIMETER mm.	29.908
WEIGHT kg/m	0.067

PARTY'S NAME	—	DRAWING No.	2002	SECTION No.	—
PARTY'S DRAWING No.	—		13003		13003
ALLOY & TEMPER	HE9 WP				
DESCRIPTION	ROUND TUBE				