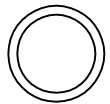
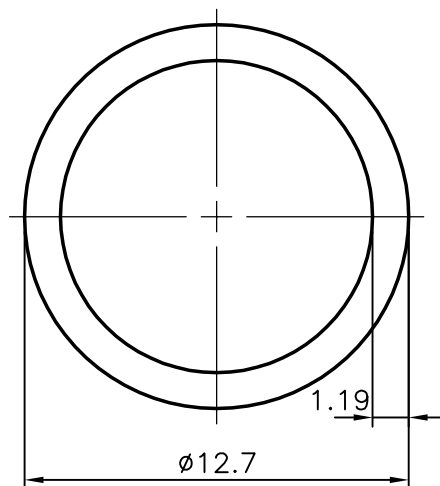


2006

13005



1:1



SYMBOL OF QUALITY  
AN ISO 9001 COMPANY

**JINDAL ALUMINIUM LTD.**  
*BANGALORE-560073 (INDIA)*

	NAME	DATE
DRAWN	j.p.kaushik	05.10.2005
CHECKED		
APPROVED		
SCALE		4:1
AREA mm <sup>2</sup>		43.03
PERIMETER mm.		39.898
WEIGHT kg/m		0.116
DRAWING No.		SECTION No.
2006		—
13005		13005

1. ALL DIMENSIONS ARE IN mm.
2. ROUND OFF ALL SHARP CORNERS WITH 0.40 mm.
3. TOLERANCES WILL BE AS PER IS: 2673-2002 UNLESS OTHERWISE SPECIFIED

PARTY'S NAME

—

PARTY'S DRAWING No.

—

ALLOY &amp; TEMPER

HE9 WP

DESCRIPTION

ROUND TUBE