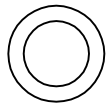
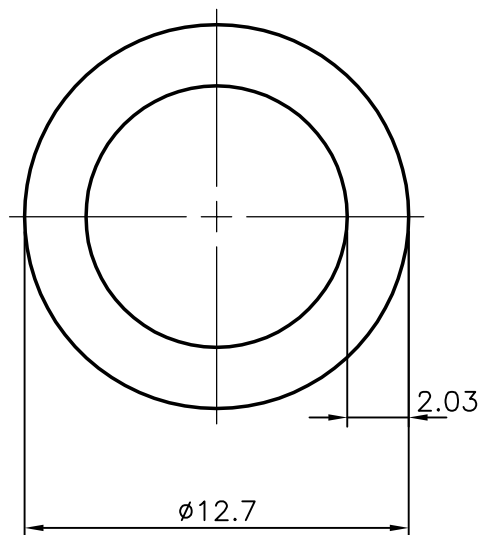


2008

13007



1:1



SYMBOL OF QUALITY  
AN ISO 9001 COMPANY

**JINDAL ALUMINIUM LTD.**  
**BANGALORE-560073 (INDIA)**

	NAME	DATE
DRAWN	j.p.kaushik	05.10.2005
CHECKED		
APPROVED		
SCALE		4:1
AREA mm <sup>2</sup>		68.047
PERIMETER mm.		39.898
WEIGHT kg/m		0.184
DRAWING No.		SECTION No.
2008		—
13007		13007

1. ALL DIMENSIONS ARE IN mm.
2. ROUND OFF ALL SHARP CORNERS WITH 0.40 mm.
3. TOLERANCES WILL BE AS PER IS: 2673-2002 UNLESS OTHERWISE SPECIFIED

PARTY'S NAME	—
PARTY'S DRAWING No.	—
ALLOY & TEMPER	HE9 WP
DESCRIPTION	ROUND TUBE