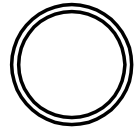
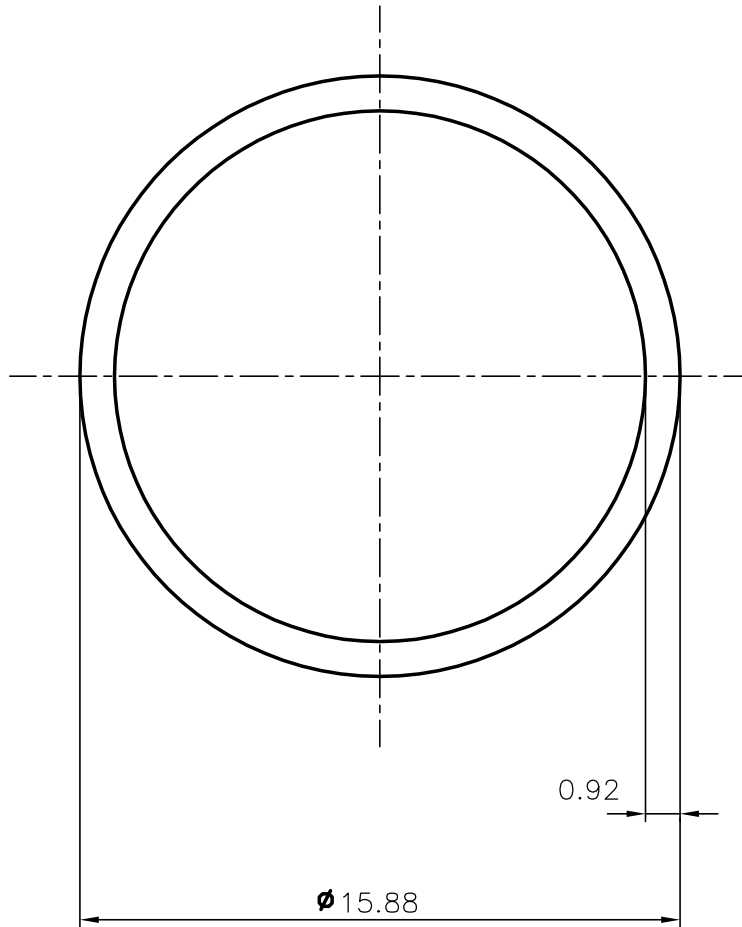



2011

13009



1:1



 SYMBOL OF QUALITY AN ISO 9002 COMPANY	<b>JINDAL ALUMINIUM LTD.</b> BANGALORE-560073 (INDIA)		NAME	DATE
		DRAWN	P,KULKARNI	9-5-2000
1. ALL DIMENSIONS ARE IN mm. 2. ROUND OFF ALL SHARP CORNERS WITH 0.40 mm. 3. TOLERANCES WILL BE AS PER I.S. 2673-1979 UNLESS OTHERWISE SPECIFIED		CHECKED		
		APPROVED		
		SCALE	5:1	
PARTY'S NAME	-	WEIGHT kg/m	0.117	
PARTY'S DRAWING No.	-	SECTION No.	13009	
ALLOY & TEMPER	<b>HE9 WP</b>	DRAWING No.		
DESCRIPTION	<b>ROUND TUBE</b>	13009		