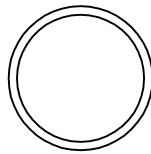
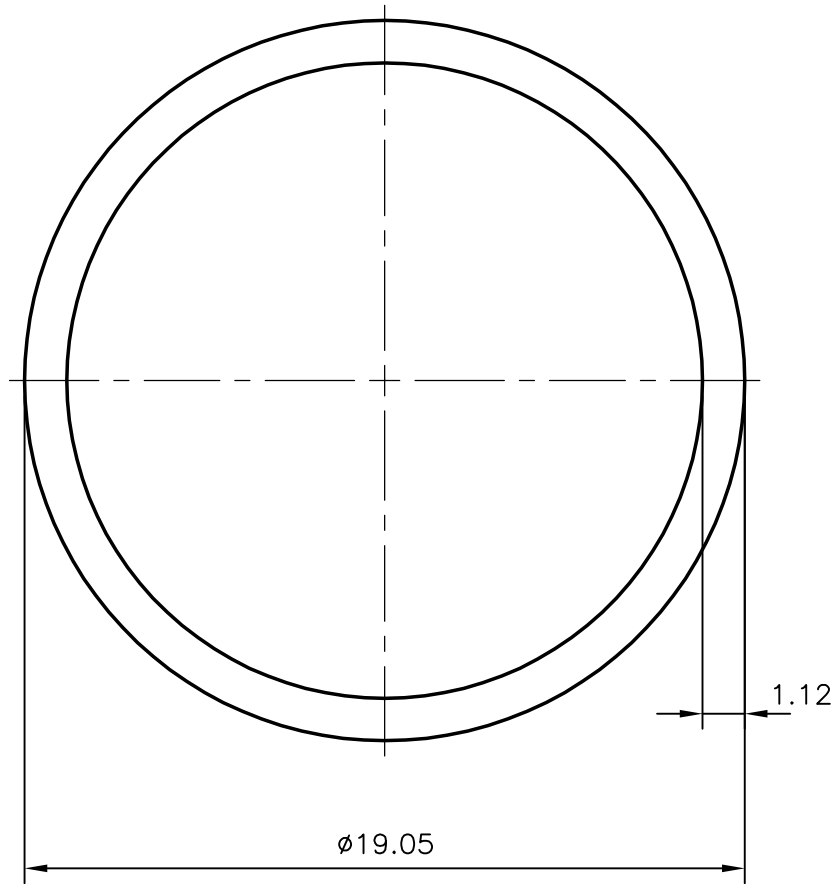


2017

13014



1:1



JINDAL ALUMINIUM LTD.
BANGALORE-560073

	NAME	DATE
DRAWN	R.D.Sharma	17-01-97

1. ALL DIMENSIONS ARE IN mm.
2. ROUND OFF ALL SHARP CORNERS WITH 0.4 mm.
3. TOLERANCES WILL BE AS PER IS: 2673-1979 ,UNLESS OTHERWISE SPECIFIED

CHECKED		
APPROVED		

PARTY'S NAME	—	SCALE	5:1
PARTY'S DRAWING No.	—	WEIGHT kg/m	0.171
ALLOY & TEMPER	HE9 WP	SECTION No.	13014
LENGTH	3658 mm.	DRAWING No.	13014
DESCRIPTION	ROUND TUBE		